

65

QUESTION PAPER
SERIES CODE

A

Registration No. :

--	--	--	--	--

Centre of Exam. :

Name of Candidate :

Signature of Invigilator

ENTRANCE EXAMINATION, 2016

M.Sc. PHYSICS

[Field of Study Code : SPSM (226)]

Time Allowed : 3 hours

Maximum Marks : 100

INSTRUCTIONS FOR CANDIDATES

Candidates must read carefully the following instructions before attempting the Question Paper :

- (i) Write your Name and Registration Number in the space provided for the purpose on the top of this Question Paper and in the Answer Sheet.
- (ii) Please darken the appropriate Circle of Question Paper Series Code on the Answer Sheet.
- (iii) All questions are compulsory. For each question one and only one of the five choices given is the correct answer.
- (iv) Answer all 25 questions in the Answer Sheet provided for the purpose by darkening the correct choice, i.e., (a) or (b) or (c) or (d) or (e) with BALLPOINT PEN only against the corresponding Circle. Any overwriting or alteration will be treated as wrong answer.
- (v) Each correct answer carries 4 marks. There will be negative marking and 1 mark will be deducted for each wrong answer.
- (vi) Answer written by the candidates inside the Question Paper will not be evaluated.
- (vii) Calculators may be used.
- (viii) Please use the space provided for Rough Work.
- (ix) Return the Question Paper and Answer Sheet to the Invigilator at the end of the Entrance Examination. **DO NOT FOLD THE ANSWER SHEET.**

INSTRUCTIONS FOR MARKING ANSWERS

1. Use only Blue/Black Ballpoint Pen (do not use pencil) to darken the appropriate Circle.
2. Please darken the whole Circle.
3. Darken **ONLY ONE CIRCLE** for each question as shown in example below :

Wrong	Wrong	Wrong	Wrong	Correct
● (b) (c) ● (e)	● (b) (c) (d) (e)	● (b) (c) (d) (e)	● (b) (c) ● (e)	● (a) (b) (c) ● (e)

4. Once marked, no change in the answer is allowed.
5. Please do not make any stray marks on the Answer Sheet.
6. Please do not do any rough work on the Answer Sheet.
7. Mark your answer only in the appropriate space against the number corresponding to the question.
8. Ensure that you have darkened the appropriate Circle of Question Paper Series Code on the Answer Sheet.

/65-A

/65-A

2

Useful Physical Constants :

Acceleration due to gravity, $g = 9.81 \text{ m/s}^2$

Avogadro number, $N_A = 6.022 \times 10^{23} / \text{mol}$

Boltzmann constant, $k_B = 1.38 \times 10^{-23} \text{ J/K}$

Charge of electron, $e = 1.6 \times 10^{-19} \text{ C}$

Gravitational constant, $G = 6.67 \times 10^{-11} \text{ N-m}^2 / \text{kg}^2$

Mean radius of the earth, $R_e = 6.37 \times 10^6 \text{ m}$

Permittivity of vacuum, $\epsilon_0 = 8.85 \times 10^{-12} \text{ F/m}$

Permeability of vacuum, $\mu_0 = 4\pi \times 10^{-7} \text{ Hm}^{-1}$

Planck constant, $h = 6.63 \times 10^{-34} \text{ J-s}$

Rest mass of electron, $m_e = 9.11 \times 10^{-31} \text{ kg}$

Rest mass of neutron, $m_n = 1.67 \times 10^{-27} \text{ kg}$

Speed of light in vacuum, $c = 3 \times 10^8 \text{ m/s}$

Stefan-Boltzmann constant, $\sigma = 5.67 \times 10^{-8} \text{ W/m}^2 \cdot \text{K}^4$

Universal gas constant, $R = 8.31 \text{ J/mol-K}$

Conversion Factors :

1 calorie = 4.2 J

1 eV = $1.6 \times 10^{-19} \text{ J}$

Relativistic expressions for momentum and total energy :

$$\text{Total energy, } E = \frac{mc^2}{\sqrt{1-(v/c)^2}}$$

$$\text{Momentum, } \mathbf{p} = \frac{m\mathbf{v}}{\sqrt{1-(v/c)^2}}$$

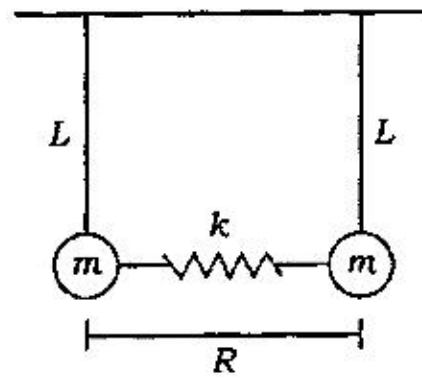
/65-A

4

1. The maximum radius (R_0) that a black hole can have depends on its mass (M), the universal constant of gravitation (G) and the speed of light (c). On dimensional grounds, the expression for R_0 should be proportional to

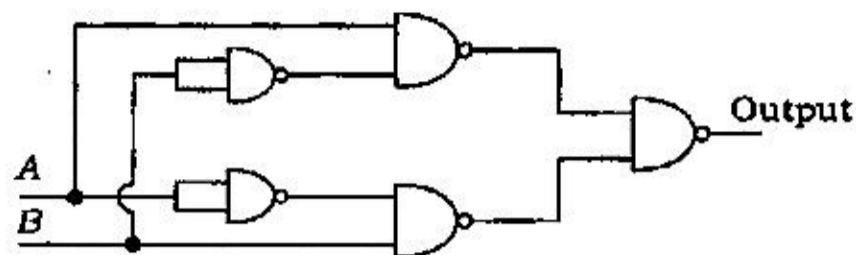
- (a) GM/c^2
- (b) GM^2/c^3
- (c) GM^2/c
- (d) GM/c
- (e) $G^2 M/c$

2. Two pendulums of identical length L and mass m are hanging from a horizontal rod. Their points of suspension are separated by R . A spring of unstretched length R and spring constant k , is now used to connect the masses. For this new system there is a mode of oscillation in which both the masses move sinusoidally with a common circular frequency ω and the displacements of the two masses are equal in magnitude but opposite in sign at all times. If ω has to be twice the common circular frequency of the two masses before the spring is connected, then the ratio $\frac{kL}{mg}$, where g is the acceleration due to gravity, must be



- (a) 1
 - (b) $3/2$
 - (c) 2
 - (d) $2/3$
 - (e) $\sqrt{2}$
3. Consider an elastic collision between two objects A and B of mass m_1 and m_2 , respectively. Before and after collision, motion takes place only along the x-axis. Before collision, A is moving with speed v and B is at rest. If, after collision, A keeps moving in the same direction, but with its speed reduced to $v/2$, the ratio m_2/m_1 must be
- (a) 2
 - (b) 1
 - (c) $1/3$
 - (d) $\sqrt{5} - 1$
 - (e) $\sqrt{2} - 1$

4. Which of the following represents the output of the circuit implemented using only NAND gates?



- (a) $A \text{ AND } B$
- (b) $A \text{ OR } B$
- (c) $A \text{ NAND } B$
- (d) $A \text{ NOR } B$
- (e) $A \text{ XOR } B$
5. Graphite, an allotrope of carbon, crystallizes in a simple hexagonal crystal structure with primitive translation vectors of the hexagonal space lattice given by

$$\mathbf{a}_1 = \frac{\sqrt{3}}{2} a \hat{x} + \frac{a}{2} \hat{y}; \quad \mathbf{a}_2 = -\frac{\sqrt{3}}{2} a \hat{x} + \frac{a}{2} \hat{y}; \quad \mathbf{a}_3 = c \hat{z}$$

Here $a = 2.46 \text{ \AA}$ and $c = 6.7 \text{ \AA}$. Given that there is one atom in the primitive cell, the density of graphite is given by (Take the mass number of carbon to be 12)

- (a) 0.56 gm/cm^3
- (b) 5.10 gm/cm^3
- (c) 2.40 gm/cm^3
- (d) 1.40 gm/cm^3
- (e) 4.32 gm/cm^3

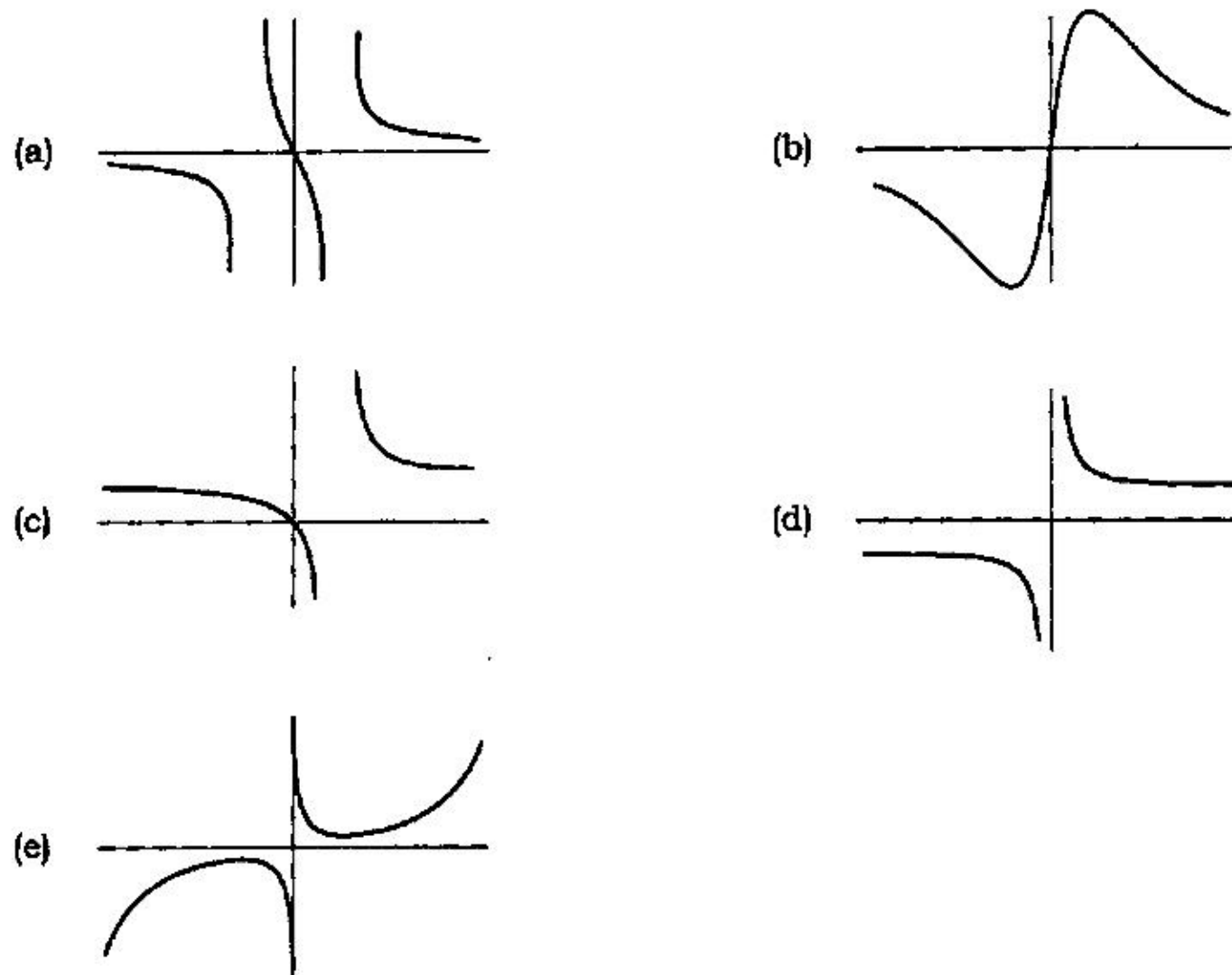
6. A solid square slab of dielectric material with dielectric constant 5.0 fills up the space between the two square (5 cm × 5 cm) metallic plates of a capacitor. A potential difference of 10 volts is maintained between the two metal plates which are separated by 1 mm. Suppose the dielectric slab is now pulled out at a speed of 1 mm/s parallel to one of the edges of the plates, with negligible friction. The power required to do this is nearest to

- (a) 9.00×10^{-11} W (b) 1.11×10^{-11} W
 (c) 0.22×10^{-11} W (d) 4.90×10^{-12} W
 (e) 2.16×10^{-12} W

7. Consider a free quantum particle of mass m in a two-dimensional rectangular box covering the region $\{0 < x < 2L, 0 < y < L\}$. In the first excited state, the probability for the particle to be found in $\{L/2 < x < L, 0 < y < 3L/4\}$ is nearest to

- (a) 0.13
 (b) 0.19
 (c) 0.16
 (d) 0.23
 (e) 0.27

8. Which of the following figures provides the most accurate representation of the function $f(x) = x / (x^2 - 1)^2$?



9. Cerenkov radiation is observed when the speed of a charged particle in a liquid is greater than the speed of light in that medium. In a liquid of refractive index 1.5, what is the minimum kinetic energy that an electron must have to give out Cerenkov radiation?

- (a) 0.11 MeV
- (b) 0.17 MeV
- (c) 1.20 MeV
- (d) 0.51 MeV
- (e) 0.61 MeV

10. Consider the following differential equation :

$$\frac{d^3 y}{dx^3} - 3\frac{d^2 y}{dx^2} + 2\frac{dy}{dx} = 0$$

It is given that $\frac{d^2 y}{dx^2} = 1$, $\frac{dy}{dx} = 0$ and $y = 1$ at $x = 0$. Then the value of y at $x = 2$ is nearest to

- (a) 30
 - (b) 42
 - (c) 21
 - (d) 63
 - (e) 12
11. Define I to be the value of the surface integral ($\int \mathbf{E} \cdot d\mathbf{S}$, where $d\mathbf{S}$ points outwards from the domain of integration) of a vector field \mathbf{E} ($\mathbf{E} = (x + y^2)\mathbf{i} + (z^3 + y^3)\mathbf{j} + (x + z^4)\mathbf{k}$) over the entire surface of a cube which bounds the region $\{0 < x < 2, -1 < y < 1, 0 < z < 2\}$. The value of I is
- (a) 0
 - (b) 16
 - (c) 72
 - (d) 80
 - (e) 32

12. Consider a gas of rubidium atoms (mass = 85.5 atomic mass unit) at a temperature of 1 microkelvin. Let λ be the de Broglie wavelength of an atom moving with the average kinetic energy (per atom) of this gas. What is the value of n , the number of atoms per unit volume, that will satisfy the condition $n\lambda^3 = 1$?

- (a) $4.4 \times 10^{18} / \text{m}^3$
- (b) $6.7 \times 10^{20} / \text{m}^3$
- (c) $1.1 \times 10^{19} / \text{m}^3$
- (d) $3.6 \times 10^{21} / \text{m}^3$
- (e) $4.9 \times 10^{19} / \text{m}^3$

13. Protons of kinetic energy 10^{12} eV are injected into a uniform magnetic field of strength 10 Tesla. The magnetic field exists only inside a cylindrical region of diameter 50 cm and is parallel to the axis of the cylinder. At the point of injection, the proton beam is directed towards the axis of the cylinder and is perpendicular to it. By the time the beam exits the magnetic field, it changes its direction by

[Hints : (i) The protons in the beam are ultrarelativistic, i.e., $v \approx c$
(ii) Use the relativistic expressions for energy and momentum
(iii) $\mathbf{F} = \frac{d\mathbf{p}}{dt}$]

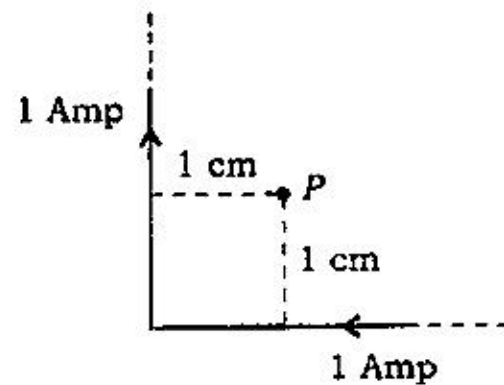
- (a) 2.2×10^{-3} radian
- (b) 2.4×10^{-4} radian
- (c) 1.0×10^{-2} radian
- (d) 1.5×10^{-3} radian
- (e) 9.0×10^{-4} radian

14. A straight beam of ultrarelativistic electrons, confined within a very long cylindrical region of radius less than 1 mm, carries a current of $0.01 \mu\text{A}$. The strength of the electric field at a point 2 cm away from the beam axis will be nearest to

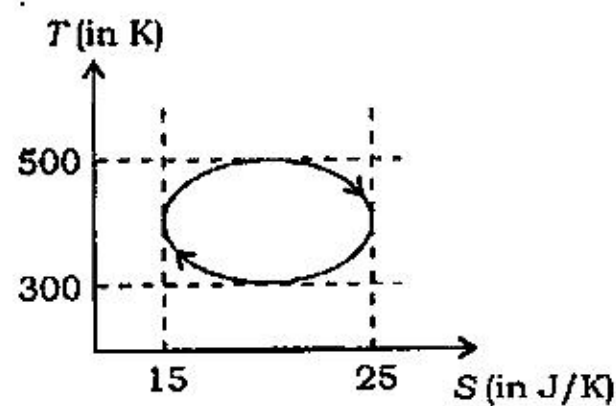
[Hint : Calculate the charge per unit length from the given information.]

- (a) 6×10^{-5} V/m
- (b) 1×10^{-4} V/m
- (c) 3×10^{-5} V/m
- (d) 2×10^{-3} V/m
- (e) 8×10^{-4} V/m

15. Consider a L-shaped conductor carrying a current of 1 Ampere, as shown in the figure. Assume that both the arms extend to infinity. The strength of the magnetic field at the point P , which is at a distance of 1 cm from both the arms, is nearest to



- (a) 1.2×10^{-7} T
 (b) 3.4×10^{-5} T
 (c) 6.9×10^{-6} T
 (d) 4.3×10^{-4} T
 (e) 2.1×10^{-5} T
16. The thermodynamic cycle of a heat engine is shown in the figure below. The shape of the curve is elliptical with one axis parallel to the S -axis. This cycle is executed 20 times per second by the engine. The power output of the engine is nearest to



- (a) 12.5 kW
 (b) 32.0 kW
 (c) 2.5 kW
 (d) 10.0 kW
 (e) 58.0 kW

20. Three moles of an ideal monatomic gas occupy a volume of 20 m^3 at 300 K . If the gas expands adiabatically to 40 m^3 , the final pressure is nearest to
- (a) 331 N/m^2
 - (b) 1200 N/m^2
 - (c) 980 N/m^2
 - (d) 486 N/m^2
 - (e) 118 N/m^2
21. Ganymede is a moon of the planet Jupiter. It moves in a circular orbit of radius 1.07 million kilometres with a time period of rotation of 7 days. The mass of Jupiter, deduced from this information, would be nearest to
- (a) $5.3 \times 10^{29} \text{ kg}$
 - (b) $1.2 \times 10^{31} \text{ kg}$
 - (c) $4.8 \times 10^{28} \text{ kg}$
 - (d) $1.9 \times 10^{27} \text{ kg}$
 - (e) $3.2 \times 10^{30} \text{ kg}$
22. An ice cube (of mass 5 gm), at a temperature of $-23 \text{ }^\circ\text{C}$, is dropped into a lake whose temperature is $27 \text{ }^\circ\text{C}$. After equilibrium is established, what is the change in the entropy of the universe nearest to? [Latent heat of fusion for the melting of ice = 80 cal/gm , specific heat of water = $1 \text{ cal/gm }^\circ\text{C}$, specific heat of ice = $0.5 \text{ cal/gm }^\circ\text{C}$]
- (a) 1.4 J/K
 - (b) 9.1 J/K
 - (c) 0.8 J/K
 - (d) 8.2 J/K
 - (e) 3.6 J/K

23. Which of the following force fields is/are conservative?

I. $(4x^3y + 3x^2z^2)\mathbf{i} + (x^4 + 3y^2z^2)\mathbf{j} + 2z(x^3 + y^3)\mathbf{k}$

II. $(yz^4 + x^5)\mathbf{i} + (x^4z + x^2y^3)\mathbf{j} + (x^4y + z^5)\mathbf{k}$

III. $x(3xy^2 + 4z^3)\mathbf{i} + (z^4 + 2x^3y)\mathbf{j} + 2z^2(2yz + 3x^2)\mathbf{k}$

(a) II and III only

(b) I, II and III

(c) I and III only

(d) I and II only

(e) I only

24. In a long cylinder, a liquid of refractive index n is moving with a speed v . What will be the speed of light moving in this liquid, in the direction of motion of the liquid, when measured by an observer at rest in the laboratory (c is the speed of light in vacuum)?

(a) $(c/n) + v$

(b) $((c/n) + v) / (1 + (v/cn))$

(c) c/n

(d) c

(e) $((c/n) + v) / (1 - (v/cn))$

25. Two vertical radio frequency antennae (mounted on flat ground) are separated by 2 m, and are radiating in phase with $\lambda = 1$ m. Consider a circular path (at the ground level) of radius 50 m around the two sources. If we move a detector once around this path, how many interference maxima will it detect?

(a) 2

(b) 24

(c) 16

(d) 4

(e) 8



SPACE FOR ROUGH WORK

/65-A

14

SPACE FOR ROUGH WORK

/65-A

15

[P.T.O.]



collegedunia.com
India's Largest Student Review Platform

SPACE FOR ROUGH WORK

/65-A

16

SPACE FOR ROUGH WORK

/65-A

17

[P.T.O.]

SPACE FOR ROUGH WORK

/65-A

18

SPACE FOR ROUGH WORK

2

4

1

1

1

/65-A

19

[P.T.O.]

SPACE FOR ROUGH WORK

165-A

20

SPACE FOR ROUGH WORK

/65-A

21

[P.T.O.

SPACE FOR ROUGH WORK

/65-A

22

E16—2055×3