

## UGC NET PAPER 1 AND 2 JUNE 21, 2019 SHIFT 2 POPULATION STUDIES QUESTION PAPER

<b>Duration:</b>	180
<b>Total Marks:</b>	300
<b>Display Marks:</b>	Yes
<b>Share Answer Key With Delivery Engine:</b>	Yes
<b>Actual Answer Key:</b>	Yes

<b>Group Number :</b>	1
<b>Group Id :</b>	646350215
<b>Group Maximum Duration :</b>	0
<b>Group Minimum Duration :</b>	180
<b>Revisit allowed for view? :</b>	No
<b>Revisit allowed for edit? :</b>	No
<b>Break time:</b>	0
<b>Group Marks:</b>	300

### PART I General Aptitude

<b>Section Id :</b>	646350397
<b>Section Number :</b>	1
<b>Section type :</b>	Online
<b>Mandatory or Optional:</b>	Mandatory
<b>Number of Questions:</b>	42
<b>Number of Questions to be attempted:</b>	42
<b>Section Marks:</b>	100
<b>Display Number Panel:</b>	Yes
<b>Group All Questions:</b>	No

<b>Sub-Section Number:</b>	1
<b>Sub-Section Id:</b>	646350886
<b>Question Shuffling Allowed :</b>	Yes

**Question Number : 1 Question Id : 64635018208 Question Type : MCQ Option Shuffling : No Display Question Number : Yes**  
**Single Line Question Option : No Option Orientation : Vertical**  
**Correct Marks : 2 Wrong Marks : 0**

A teacher gives lot of positive and negative examples to support his / her presentations in the classroom. This will be related to which level of teaching?

- |                                  |                      |
|----------------------------------|----------------------|
| (1) Autonomous development level | (2) Memory level     |
| (3) Understanding level          | (4) Reflective level |

**Options :**

64635071499. 1  
64635071500. 2  
64635071501. 3  
64635071502. 4

Question Number : 1 Question Id : 64635018208 Question Type : MCQ Option Shuffling : No Display Question Number : Yes  
Single Line Question Option : No Option Orientation : Vertical

Correct Marks : 2 Wrong Marks : 0

कोई अध्यापक कक्षा में अपनी प्रस्तुति के समर्थन में बहुत से सकारात्मक और नकारात्मक उदाहरण प्रस्तुत करता/करती है। यह शिक्षण के किस स्तर से संबन्धित होगा?

- |                         |                 |
|-------------------------|-----------------|
| (1) स्वायत्त विकास स्तर | (2) स्मृति स्तर |
| (3) अवबोध स्तर          | (4) चिंतन स्तर  |

Options :

64635071499. 1  
64635071500. 2  
64635071501. 3  
64635071502. 4

Question Number : 2 Question Id : 64635018209 Question Type : MCQ Option Shuffling : No Display Question Number : Yes  
Single Line Question Option : No Option Orientation : Vertical

Correct Marks : 2 Wrong Marks : 0

Below are listed some learners' characteristics. Identify those that help in effective teaching.

- (a) Learners' respect for teacher  
(b) Learner's level of mental ability  
(c) Learner's previous experiences  
(d) Learner's level of interest to study  
(e) Learner's level of interpersonal relation  
(f) Learner's view about the society

Select your answer from the options given below :

- |                           |                           |
|---------------------------|---------------------------|
| (1) (a), (b), (c) and (f) | (2) (c), (d), (e) and (f) |
| (3) (a), (b), (c) and (d) | (4) (b), (c), (d) and (f) |

Options :

64635071503. 1  
64635071504. 2  
64635071505. 3  
64635071506. 4

Question Number : 2 Question Id : 64635018209 Question Type : MCQ Option Shuffling : No Display Question Number : Yes  
Single Line Question Option : No Option Orientation : Vertical

Correct Marks : 2 Wrong Marks : 0



नीचे अभिगम की कुछ विशेषताएं सूचीबद्ध की गई हैं। इनमें से प्रभावी शिक्षण में सहायक तत्वों को पहचानिए :

- (a) अधिगमकर्ताओं का अध्यापक के प्रति सम्मान
- (b) अधिगमकर्ताओं की मानसिक योग्यता का स्तर
- (c) अधिगमकर्ताओं का पूर्व अनुभव
- (d) अधिगमकर्ताओं की अध्ययन में अभिरुचि का स्तर
- (e) अधिगमकर्ताओं के अन्तःवैयक्तिक संबंध का स्तर
- (f) अधिगमकर्ताओं का समाज के बारे में दृष्टिकोण

नीचे दिए गए विकल्पों में से अपना उत्तर चुनिए :

- |                          |                          |
|--------------------------|--------------------------|
| (1) (a), (b), (c) और (f) | (2) (c), (d), (e) और (f) |
| (3) (a), (b), (c) और (d) | (4) (b), (c), (d) और (f) |

Options :

- 64635071503. 1
- 64635071504. 2
- 64635071505. 3
- 64635071506. 4

Question Number : 3 Question Id : 64635018210 Question Type : MCQ Option Shuffling : No Display Question Number : Yes  
Single Line Question Option : No Option Orientation : Vertical

Correct Marks : 2 Wrong Marks : 0

Below are given two columns. Column – A lists methods of teaching and Column – B lists the focus of a method. Match Column – A with Column – B.

Column A	Column B
(a) Lecture method	(i) Emphasizing the participative procedure of an act
(b) Demonstration method	(ii) Experience based learning
(c) Project method	(iii) Imparting large amount of knowledge
(d) Collaborative method	(iv) Students engage in different activities together and learn

Select your answer from the options given below :

- (1) (a)–(i); (b)–(iii); (c)–(ii); (d)–(iv)
- (2) (a)–(ii); (b)–(iv); (c)–(i); (d)–(iii)
- (3) (a)–(iii); (b)–(i); (c)–(ii); (d)–(iv)
- (4) (a)–(iii); (b)–(ii); (c)–(iv); (d)–(i)

Options :

- 64635071507. 1
- 64635071508. 2



64635071509. 3

64635071510. 4

Question Number : 3 Question Id : 64635018210 Question Type : MCQ Option Shuffling : No Display Question Number : Yes  
Single Line Question Option : No Option Orientation : Vertical

Correct Marks : 2 Wrong Marks : 0

नीचे दो स्तंभ दिए गए हैं। स्तंभ – A में शिक्षण पद्धतियों की सूची दी गई है और स्तंभ – B में पद्धति के फोकस की सूची दी गई है। स्तंभ – A और स्तंभ B को सुमेलित कीजिए।

स्तंभ – A

स्तंभ – B

- |                      |  |
|----------------------|--|
| (a) व्याख्यान पद्धति | (i) किसी कार्य में प्रतिभागपरकता पर जोर देना                             |
| (b) प्रदर्शन विधि    | (ii) अनुभव आधारित अभिगम  |
| (c) परियोजना विधि    | (iii) बहुत अधिक ज्ञान प्रदान करना  |
| (d) सहयोगात्मक विधि  | (iv) विद्यार्थी विभिन्न कार्यकलाप एक साथ निष्पादित करते हैं और सीखते हैं |

नीचे दिए गए विकल्प में से अपना उत्तर चुनिए :

- (1) (a)–(i); (b)–(iii); (c)–(ii); (d)–(iv)
- (2) (a)–(ii); (b)–(iv); (c)–(i); (d)–(iii)
- (3) (a)–(iii); (b)–(i); (c)–(ii); (d)–(iv)
- (4) (a)–(iii); (b)–(ii); (c)–(iv); (d)–(i)

Options :

64635071507. 1

64635071508. 2

64635071509. 3

64635071510. 4

Question Number : 4 Question Id : 64635018211 Question Type : MCQ Option Shuffling : No Display Question Number : Yes  
Single Line Question Option : No Option Orientation : Vertical

Correct Marks : 2 Wrong Marks : 0



Below are listed some activities performed by a teacher. Which activities are of the nature of formative evaluation?

- (a) Giving a mastery test
- (b) Conducting quiz session
- (c) Evaluating students in grading system
- (d) Providing feedback while teaching
- (e) Encouraging students reflect more

Select your answer from the options given below :

- (1) (a), (b) and (c)
- (2) (b), (c) and (d)
- (3) (b), (d) and (e)
- (4) (b), (c) and (e)

Options :

- 64635071511. 1
- 64635071512. 2
- 64635071513. 3
- 64635071514. 4

Question Number : 4 Question Id : 64635018211 Question Type : MCQ Option Shuffling : No Display Question Number : Yes  
Single Line Question Option : No Option Orientation : Vertical  
Correct Marks : 2 Wrong Marks : 0



नीचे किसी अध्यापक द्वारा निष्पादित कार्यकलाप की सूची दी गई है। कौन से कार्यकलाप निर्माणात्मक मूल्यांकन की प्रकृति के हैं?

- (a) निपुणता परीक्षण देना
- (b) क्विज सत्र का आयोजन
- (c) ग्रेडिंग प्रणाली में विद्यार्थियों का मूल्यांकन
- (d) शिक्षण में प्रतिपुष्टि देना
- (e) विद्यार्थियों के चिंतन को बढ़ावा देना

नीचे दिए गए विकल्पों में से अपना उत्तर चुनिए :

- (1) (a), (b) और (c)
- (2) (b), (c) और (d)
- (3) (b), (d) और (e)
- (4) (b), (c) और (e)

Options :

- 64635071511. 1
- 64635071512. 2
- 64635071513. 3
- 64635071514. 4

Question Number : 5 Question Id : 64635018212 Question Type : MCQ Option Shuffling : No Display Question Number : Yes  
Single Line Question Option : No Option Orientation : Vertical

Correct Marks : 2 Wrong Marks : 0

From the list given below, identify those teaching methods which have a great scope for dialogic discourses.

- (a) Lecture with audio – visual aids
- (b) Team teaching
- (c) Tutorials
- (d) Problem solving methods
- (e) Chalk and talk method
- (f) Group discussions

Select your answer from the options given below :

- (1) (a), (b) and (c)
- (2) (c), (d) and (f)
- (3) (b), (c) and (e)
- (4) (d), (e) and (f)

Options :

- 64635071515. 1



64635071516. 2

64635071517. 3

64635071518. 4

Question Number : 5 Question Id : 64635018212 Question Type : MCQ Option Shuffling : No Display Question Number : Yes  
Single Line Question Option : No Option Orientation : Vertical

Correct Marks : 2 Wrong Marks : 0

नीचे दी गई सूची में से उन शिक्षण विधियों की पहचान कीजिए जिनमें संवाद जन्य विमर्श की बहुत अधिक गुंजाईश होती है।

- (a) श्रव्य दृश्य उपकरणों की सहायता से व्याख्यान
- (b) समूह शिक्षण
- (c) ट्यूटोरियल
- (d) समस्या-समाधान विधि
- (e) श्यामपट्ट पर लिखकर समझाने की विधि (चॉक एण्ड टॉक मेथड)
- (f) समूह चर्चा

अपना उत्तर विकल्प में से चुनिए :

- |                     |                     |
|---------------------|---------------------|
| (1) (a), (b) और (c) | (2) (c), (d) और (f) |
| (3) (b), (c) और (e) | (4) (d), (e) और (f) |

Options :

64635071515. 1

64635071516. 2

64635071517. 3

64635071518. 4

Question Number : 6 Question Id : 64635018213 Question Type : MCQ Option Shuffling : No Display Question Number : Yes  
Single Line Question Option : No Option Orientation : Vertical

Correct Marks : 2 Wrong Marks : 0

Supervisor's certification on the thesis

- (1) Gives name and fame to the supervisor
- (2) Clears different bottlenecks in the system
- (3) Gives weightage to the scholar's work
- (4) Ensures originality of the work

Options :

64635071519. 1

64635071520. 2

64635071521. 3

64635071522. 4

Question Number : 6 Question Id : 64635018213 Question Type : MCQ Option Shuffling : No Display Question Number : Yes  
Single Line Question Option : No Option Orientation : Vertical

Correct Marks : 2 Wrong Marks : 0



शोध प्रबंध पर शोध निर्देशक द्वारा प्रमाणन :

- (1) शोध-निर्देशक को ख्याति और प्रसिद्धि देती है
- (2) प्रणाली में आनेवाली विभिन्न अड़चनें को दूर करता है
- (3) शोधार्थी के शोधकार्य को महत्व देता है।
- (4) शोधकार्य की मौलिकता सुनिश्चित करता है।

Options :

64635071519. 1  
64635071520. 2  
64635071521. 3  
64635071522. 4

Question Number : 7 Question Id : 64635018214 Question Type : MCQ Option Shuffling : No Display Question Number : Yes  
Single Line Question Option : No Option Orientation : Vertical

Correct Marks : 2 Wrong Marks : 0

After identifying the different variables and establishing the logical reasoning in theoretical framework, the next step in the research process is to

- (1) Conduct survey
- (2) Generate hypothesis
- (3) Focus on group discussion
- (4) Use experiment in an investigation

Options :

64635071523. 1  
64635071524. 2  
64635071525. 3  
64635071526. 4

Question Number : 7 Question Id : 64635018214 Question Type : MCQ Option Shuffling : No Display Question Number : Yes  
Single Line Question Option : No Option Orientation : Vertical

Correct Marks : 2 Wrong Marks : 0

शोध के सैद्धांतिक परिप्रेक्ष्य में विविध चरों की पहचान तथा तार्किक औचित्य स्थापनोपरांत अगला चरण है :

- (1) सर्वेक्षण करना
- (2) परिकल्पना निर्माण
- (3) सामूहिक चर्चा पर बल देना
- (4) किसी अनुसन्धान में प्रयोग करना

Options :

64635071523. 1  
64635071524. 2  
64635071525. 3  
64635071526. 4

Question Number : 8 Question Id : 64635018215 Question Type : MCQ Option Shuffling : No Display Question Number : Yes  
Single Line Question Option : No Option Orientation : Vertical

Correct Marks : 2 Wrong Marks : 0

Which stage in research creates a working thesis for the research paper by specifying and organizing the category of information?

- (1) Research design
- (2) Developing a hypothesis
- (3) Review of literature
- (4) Analysis of data



Options :

64635071527. 1  
64635071528. 2  
64635071529. 3  
64635071530. 4

Question Number : 8 Question Id : 64635018215 Question Type : MCQ Option Shuffling : No Display Question Number : Yes  
Single Line Question Option : No Option Orientation : Vertical

Correct Marks : 2 Wrong Marks : 0

शोध की किस अवस्था में शोध पत्र के लिए सूचनाओं की श्रेणियों के विनिर्दिष्टीकरण तथा संगठन के आधार पर एक प्रकार्यात्मक शोध प्रबंध की रचना होती है?

- |                        |                       |
|------------------------|-----------------------|
| (1) शोध अभिकल्प        | (2) परिकल्पना निर्माण |
| (3) साहित्य की समीक्षा | (4) प्रदत्त विश्लेषण  |

Options :

64635071527. 1  
64635071528. 2  
64635071529. 3  
64635071530. 4

Question Number : 9 Question Id : 64635018216 Question Type : MCQ Option Shuffling : No Display Question Number : Yes  
Single Line Question Option : No Option Orientation : Vertical

Correct Marks : 2 Wrong Marks : 0

Participation in which type of research has the great potential for ensuring the improvement of the professional as well as work situation?

- |                          |                      |
|--------------------------|----------------------|
| (1) Fundamental research | (2) Applied research |
| (3) Evaluative research  | (4) Action research  |

Options :

64635071531. 1  
64635071532. 2  
64635071533. 3  
64635071534. 4

Question Number : 9 Question Id : 64635018216 Question Type : MCQ Option Shuffling : No Display Question Number : Yes  
Single Line Question Option : No Option Orientation : Vertical

Correct Marks : 2 Wrong Marks : 0

किस प्रकार के शोध में प्रतिभाग करने से अभ्यासकर्ता में सुधार होने के साथ-साथ कार्य परिस्थितियों में भी सुधार की संभावना है?

- |                      |                    |
|----------------------|--------------------|
| (1) मौलिक शोध        | (2) व्यवहृत शोध    |
| (3) मूल्यांकनपरक शोध | (4) क्रियात्मक शोध |

Options :

64635071531. 1  
64635071532. 2  
64635071533. 3  
64635071534. 4

Question Number : 10 Question Id : 64635018217 Question Type : MCQ Option Shuffling : No Display Question Number : Yes  
Single Line Question Option : No Option Orientation : Vertical

Correct Marks : 2 Wrong Marks : 0



Reference serves the purpose of

- (1) Lending authenticity to the given content (2) Insightful decision making  
 (3) Giving ornamental value to the research (4) Exhibiting the great achievement

Options :

64635071535. 1  
 64635071536. 2  
 64635071537. 3  
 64635071538. 4

Question Number : 10 Question Id : 64635018217 Question Type : MCQ Option Shuffling : No Display Question Number : Yes  
 Single Line Question Option : No Option Orientation : Vertical

Correct Marks : 2 Wrong Marks : 0

संदर्भ से निम्नलिखित में से किस उद्देश्य की पूर्ति होती है ?

- (1) दी गई विषय वस्तु को प्रामाणिक बनाना (2) सूझपरक निर्णयन  
 (3) शोध को अलंकृत करना (4) बड़ी उपलब्धि को प्रदर्शित करना

Options :

64635071535. 1  
 64635071536. 2  
 64635071537. 3  
 64635071538. 4

Sub-Section Number: 2  
 Sub-Section Id: 646350887  
 Question Shuffling Allowed : Yes

Question Id : 64635018218 Question Type : COMPREHENSION Sub Question Shuffling Allowed : Yes Group Comprehension  
 Questions : No

Question Numbers : (11 to 15)

Question Label : Comprehension



All great thinkers live and move on a high plane of thought. It is only there they can breathe freely. It is only in contact with spirits like themselves they can live harmoniously and attain that serenity which comes from ideal companionship. The studies of all great thinkers must range along the highest altitudes of human thought. I have always thought that the strongest argument in favour of the Baconian theory was, that no man, however indubitable his genius, could have written the plays and sonnets that have come down to us under Shakespeare's own name who had not the liberal education of Bacon. The magnificent ideals that have ever haunted the human mind and given us our highest proofs of a future immortality by reason of the impossibility of their fulfilment here, are splintered into atoms by contact with life's realities. Hence comes our sublime discontent. A habitual meditation on the vast problems that underline human life and are knit into human destinies – thoughts of immortality, of the littleness of mere man, of the greatness of man's soul, of the splendors of the universe that are invisible to the ordinary traffickers in the street, as the vastness of St. Peter's is to the spider that weaves her web in a corner of the dome—these things do not fit men to understand the average human being, or tolerate with patience the sordid wretchedness of the unregenerated masses. It is easy to understand, therefore, why such thinkers fly to the solitude of their own thoughts, or the silent companionship of the immortals and if they care to present their views in prose or verse to the world, that these views take a sombre and melancholy setting from "the pale caste of thought" in which they were engendered.

**Sub questions**

Question Number : 11 Question Id : 64635018219 Question Type : MCQ Option Shuffling : No Display Question Number : Yes  
Single Line Question Option : No Option Orientation : Vertical

Correct Marks : 2 Wrong Marks : 0

Great thinkers are content to live

- (1) Amidst crises of civilizations
- (2) In lofty thoughts with an exceptional calm
- (3) At high altitudes in order to be away from society
- (4) With complexities of life and find solutions to them

**Options :**

64635071539. 1

64635071540. 2

64635071541. 3

64635071542. 4

Question Number : 12 Question Id : 64635018220 Question Type : MCQ Option Shuffling : No Display Question Number : Yes  
Single Line Question Option : No Option Orientation : Vertical

Correct Marks : 2 Wrong Marks : 0



According to the passage, our sublime discontent is due to

- (1) Realization of our lack of contact with God
- (2) Acute sense of loneliness in a hostile world
- (3) Possibility of immortality through some channels to god and the inability to get hold of it
- (4) The contrast between the ideals in great literature and their opposite in the real life

Options :

64635071543. 1

64635071544. 2

64635071545. 3

64635071546. 4

Question Number : 13 Question Id : 64635018221 Question Type : MCQ Option Shuffling : No Display Question Number : Yes  
Single Line Question Option : No Option Orientation : Vertical

Correct Marks : 2 Wrong Marks : 0

Baconian liberal education is

- (1) A lofty and ideal fantasy
- (2) Instrumental in making human beings rue over their destiny
- (3) An engagement with the intricacies of the day to day life
- (4) Equivalent to ancient ideas of sublimity

Options :

64635071547. 1

64635071548. 2

64635071549. 3

64635071550. 4

Question Number : 14 Question Id : 64635018222 Question Type : MCQ Option Shuffling : No Display Question Number : Yes  
Single Line Question Option : No Option Orientation : Vertical

Correct Marks : 2 Wrong Marks : 0

Immortality is the crucial idea constantly being explored by

- |                                     |                    |
|-------------------------------------|--------------------|
| (1) Ordinary traffickers            | (2) Great thinkers |
| (3) Gods who appear to the thinkers | (4) Scientists     |

Options :

64635071551. 1

64635071552. 2

64635071553. 3

64635071554. 4

Question Number : 15 Question Id : 64635018223 Question Type : MCQ Option Shuffling : No Display Question Number : Yes  
Single Line Question Option : No Option Orientation : Vertical

Correct Marks : 2 Wrong Marks : 0



Why do great thinkers love solitude?

- (1) To be in pursuit of the ideal in the company of immortals
- (2) To spend time in peace
- (3) Because they are misanthropists
- (4) Because the world is unhealthy for them

Options :

64635071555. 1

64635071556. 2

64635071557. 3

64635071558. 4

Question Id : 64635018218 Question Type : COMPREHENSION Sub Question Shuffling Allowed : Yes Group Comprehension Questions : No

Question Numbers : (11 to 15)

Question Label : Comprehension

निम्नलिखित गद्यांश को ध्यानपूर्वक पढ़िए और प्रश्न संख्या 11 से 15 के उत्तर दीजिए.

सभी महान चिंतक विचार के उच्च धरातल पर रहते हैं। वे वहीं उन्मुक्त होकर सांस ले सकते हैं। वे अपने स्वयं के सदृश भावनाओं वाले व्यक्तियों के साथ ही सदाशयता से रह सकते हैं और शांति प्राप्त कर सकते हैं जो आदर्श संगति से उत्पन्न होता है। सभी महान चिंतकों का अध्ययन मानवीय चिंतन के शीर्ष पर होना चाहिए। मैंने सदैव विचार किया है कि बैकन के सिद्धांत के पक्ष में प्रबल तर्क था कि कोई भी व्यक्ति भले ही उसकी प्रतिभा कितनी ही असंदिग्ध क्यों न हो, नाटक और सॉनेट नहीं लिख सकता था जो हमारे समक्ष शैक्सपीयर के स्वयं के नाम से प्रस्तुत किया जा सकता था जिन्हें बैकन की उदार शिक्षा नहीं मिली थी। वे भव्य आदर्श जो मानव के मन को अब तक कौन्तित किया है और हमें भावी अमरत्व का सर्वोच्च प्रमाण इस कारण से दिया है कि यहां अमरत्व प्राप्त करना असंभव है, ये जीवन की वास्तविकताओं के संपर्क में परमाणुओं की भांति बिखरे होते हैं। अतएव हमारा उदात्त असंतोष उत्पन्न होता है। पश्चिमी देशों की समस्याओं की स्वाभाविक मध्यस्थता जो मानव जीवन को रेखांकित करता है और मानव के प्रारब्ध में अंतःविष्ट हैं - अमरत्व, मानव की लघुता, मानव की आत्मा की महानता, ब्रह्मांड के भव्य स्वरूप जो गली में साधारण व्यक्तियों की दृष्टि से परे होते हैं, से संबंधित चिंतन ऐसे ही है जैसे कि पीटर के लिए मकड़ी। ये आम आदमी की समझ से परे होती है ना ही वे नवजीवन से अछूते जनसमूह की घोर मानसिक विफलता का धैर्यपूर्वक सहन कर सकते हैं। अतः यह समझ पाना सहज है कि किन कारणों से ऐसे चिंतक अपने स्वयं के विचारों के एकाकीपन अथवा अमर प्राणियों की मूक संगति में चले जाते हैं और यदि वे गद्य या पद्य के माध्यम से विश्व के समक्ष अपने विचार प्रस्तुत करते हैं तो उनके इन विचारों में चिंतन के दुर्बल प्रदर्शन से गंभीर और विषण्णता को उद्धृत किया जाता है जिससे वे उत्पन्न हुए थे।

Sub questions

Question Number : 11 Question Id : 64635018219 Question Type : MCQ Option Shuffling : No Display Question Number : Yes Single Line Question Option : No Option Orientation : Vertical

Correct Marks : 2 Wrong Marks : 0



महान चिंतक किस अवस्था में जीवन व्यतीत कर संतुष्ट रहते हैं?

- (1) सभ्यताओं के संकटों के मध्य रहकर
- (2) असाधारण प्रशंसा में उदात्त चिन्तन में रहकर
- (3) समाज से दूर रहने के लिए उच्च तुंगता पर रहकर
- (4) जीवन की जटिलताओं में रहकर और उनका समाधान ज्ञात कर

Options :

64635071539. 1

64635071540. 2

64635071541. 3

64635071542. 4

Question Number : 12 Question Id : 64635018220 Question Type : MCQ Option Shuffling : No Display Question Number : Yes  
Single Line Question Option : No Option Orientation : Vertical

Correct Marks : 2 Wrong Marks : 0

गद्यांश के अनुसार, हमारी उदात्त असंतुष्टि निम्नलिखित में से किस कारण से उत्पन्न होती है?

- (1) ईश्वर के साथ हमारे साक्षात्कार के अभाव की अनुभूति
- (2) प्रतिकूल जगत में अत्यधिक अकेलेपन का भाव
- (3) ईश्वर के कतिपय स्रोतों के माध्यम से अमरत्व पद की संभावना और इस पर अधिकार प्राप्त करने की अक्षमता
- (4) महान साहित्य में उल्लिखित आदर्शों और वास्तविक जीवन में विपरीत स्थितियों में विरोधाभास

Options :

64635071543. 1

64635071544. 2

64635071545. 3

64635071546. 4

Question Number : 13 Question Id : 64635018221 Question Type : MCQ Option Shuffling : No Display Question Number : Yes  
Single Line Question Option : No Option Orientation : Vertical

Correct Marks : 2 Wrong Marks : 0

बैकन की उदार शिक्षा है :

- (1) उदात्त और आदर्श फंतासी
- (2) मानव को अपने प्रारब्ध पर पश्चाताप करने योग्य बनाने में अधिकारक
- (3) दैनिक जीवन की जटिलताओं से संपर्क
- (4) उत्कृष्टता के प्राचीन आदर्शों के समतुल्य

Options :

64635071547. 1

64635071548. 2

64635071549. 3



64635071550. 4

Question Number : 14 Question Id : 64635018222 Question Type : MCQ Option Shuffling : No Display Question Number : Yes  
Single Line Question Option : No Option Orientation : Vertical

Correct Marks : 2 Wrong Marks : 0

अमरत्व एक महत्वपूर्ण विचार है जिसकी निरंतर खोज की जा रही है

- |  |                        |
|--|------------------------|
| (1) साधारण यात्रियों के द्वारा                     | (2) महानचिंतकों द्वारा |
| (3) चिंतको के समक्ष प्रकट होने वाले देवताओं द्वारा | (4) वैज्ञानिकों द्वारा |

Options :

64635071551. 1

64635071552. 2

64635071553. 3

64635071554. 4

Question Number : 15 Question Id : 64635018223 Question Type : MCQ Option Shuffling : No Display Question Number : Yes  
Single Line Question Option : No Option Orientation : Vertical

Correct Marks : 2 Wrong Marks : 0

महान चिंतको को एकांत क्यों पसंद है ?

- (1) अमर प्राणियों की संगति में आदर्श स्थिति की तलाश में रहने के लिए
- (2) शांति में जीवन व्यतीत करने के लिए
- (3) क्योंकि वे मानव मात्र से धृणा करते हैं
- (4) क्योंकि वास्तविक जगत के विषय उनके लिए अस्वास्थ्यकर हैं

Options :

64635071555. 1

64635071556. 2

64635071557. 3

64635071558. 4

Sub-Section Number:	3
Sub-Section Id:	646350888
Question Shuffling Allowed :	Yes

Question Number : 16 Question Id : 64635018224 Question Type : MCQ Option Shuffling : No Display Question Number : Yes  
Single Line Question Option : No Option Orientation : Vertical

Correct Marks : 2 Wrong Marks : 0

Assertion (A) : Communication has the power to inform, persuade and misinform.

Reason (R) : Propaganda blurs the thin line between truth and falsehood to be persuasive.

Choose the correct answer from the options given below :

- (1) Both (A) and (R) are true and (R) is the correct explanation of (A)
- (2) Both (A) and (R) are true, but (R) is not the correct explanation of (A)
- (3) (A) is true, but (R) is false
- (4) (A) is false, but (R) is true



Options :

64635071559. 1  
64635071560. 2  
64635071561. 3  
64635071562. 4

Question Number : 16 Question Id : 64635018224 Question Type : MCQ Option Shuffling : No Display Question Number : Yes  
Single Line Question Option : No Option Orientation : Vertical

Correct Marks : 2 Wrong Marks : 0

अभिकथन (अ):- संचार में सूचना देने, आश्वस्त करने और गलत सूचना देने की क्षमता होती है।

कारण (आर):- प्रचार आश्वासन के लिए सत्य और असत्य के बीच के सूक्ष्म अंतर को समाप्त कर देता है।

नीचे दिए गए विकल्प में से उत्तर चुनिए।

- (1) (A) और (R) दोनों सही है और (R), (A) की सही व्याख्या है।  
(2) (A) और (R) दोनों सही है किन्तु (R), (A) की सही व्याख्या नहीं है।  
(3) (A) सही है किन्तु (R) गलत है।  
(4) (A) गलत है किन्तु (R) सही है।

Options :

64635071559. 1  
64635071560. 2  
64635071561. 3  
64635071562. 4

Question Number : 17 Question Id : 64635018225 Question Type : MCQ Option Shuffling : No Display Question Number : Yes  
Single Line Question Option : No Option Orientation : Vertical

Correct Marks : 2 Wrong Marks : 0

A basic principle of effective class room communication is that one should adapt his or her own \_\_\_\_\_ to the audience.

Which of the following would replace the gap?

- (1) Accent (2) Exterior  
(3) Message (4) Mannerism

Options :

64635071563. 1  
64635071564. 2  
64635071565. 3  
64635071566. 4

Question Number : 17 Question Id : 64635018225 Question Type : MCQ Option Shuffling : No Display Question Number : Yes  
Single Line Question Option : No Option Orientation : Vertical

Correct Marks : 2 Wrong Marks : 0



कक्षा में प्रभावी संचार का मौलिक सिद्धांत यह है कि व्यक्ति को निजी \_\_\_\_\_ को श्रोता के अनुकूल बनाना चाहिए।  
कौन सा विकल्प रिक्त स्थान की जगह लेगा ?

- |            |                 |
|------------|-----------------|
| (1) बलाघात | (2) बाह्यस्वरूप |
| (3) संदेश  | (4) दृढव्यवहार  |

Options :

64635071563. 1  
64635071564. 2  
64635071565. 3  
64635071566. 4

Question Number : 18 Question Id : 64635018226 Question Type : MCQ Option Shuffling : No Display Question Number : Yes  
Single Line Question Option : No Option Orientation : Vertical

Correct Marks : 2 Wrong Marks : 0

A key element for effective classroom communication is

- |                |                |
|----------------|----------------|
| (1) Passivity  | (2) Negativity |
| (3) Deflection | (4) Advocacy   |

Options :

64635071567. 1  
64635071568. 2  
64635071569. 3  
64635071570. 4

Question Number : 18 Question Id : 64635018226 Question Type : MCQ Option Shuffling : No Display Question Number : Yes  
Single Line Question Option : No Option Orientation : Vertical

Correct Marks : 2 Wrong Marks : 0

कक्षा में प्रभावी संचार का मुख्य तत्व है

- |                 |                 |
|-----------------|-----------------|
| (1) निष्क्रियता | (2) नकारात्मकता |
| (3) विचलन       | (4) पक्ष-समर्थन |

Options :

64635071567. 1  
64635071568. 2  
64635071569. 3  
64635071570. 4

Question Number : 19 Question Id : 64635018227 Question Type : MCQ Option Shuffling : No Display Question Number : Yes  
Single Line Question Option : No Option Orientation : Vertical

Correct Marks : 2 Wrong Marks : 0

In communication process, body language is associated with

- |                           |                      |
|---------------------------|----------------------|
| (1) A culture             | (2) A movie audience |
| (3) A classroom situation | (4) A subject taught |

Options :



64635071571. 1  
64635071572. 2  
64635071573. 3  
64635071574. 4

Question Number : 19 Question Id : 64635018227 Question Type : MCQ Option Shuffling : No Display Question Number : Yes  
Single Line Question Option : No Option Orientation : Vertical

Correct Marks : 2 Wrong Marks : 0

संचार प्रक्रिया में शारीरिक भाव भंगिमा निम्नलिखित में से किससे संबधित है?

- |                     |                     |
|---------------------|---------------------|
| (1) संस्कृति        | (2) चलचित्र दर्शक   |
| (3) कक्षा की स्थिति | (4) पढ़ाया गया विषय |

Options :

64635071571. 1  
64635071572. 2  
64635071573. 3  
64635071574. 4

Question Number : 20 Question Id : 64635018228 Question Type : MCQ Option Shuffling : No Display Question Number : Yes  
Single Line Question Option : No Option Orientation : Vertical

Correct Marks : 2 Wrong Marks : 0

Local and face-to face communication is referred to as

- |                          |                               |
|--------------------------|-------------------------------|
| (1) Clinical integration | (2) Demonstrative integration |
| (3) Social integration   | (4) Spatial integration       |

Options :

64635071575. 1  
64635071576. 2  
64635071577. 3  
64635071578. 4

Question Number : 20 Question Id : 64635018228 Question Type : MCQ Option Shuffling : No Display Question Number : Yes  
Single Line Question Option : No Option Orientation : Vertical

Correct Marks : 2 Wrong Marks : 0

स्थानीय और आमने-सामने संचार को क्या कहा जाता है?

- |                    |                     |
|--------------------|---------------------|
| (1) नैदानिक एकीकरण | (2) प्रदर्शक एकीकरण |
| (3) समाजिक एकीकरण  | (4) स्थानिक एकीकरण  |

Options :

64635071575. 1  
64635071576. 2  
64635071577. 3  
64635071578. 4

Question Number : 21 Question Id : 64635018229 Question Type : MCQ Option Shuffling : No Display Question Number : Yes  
Single Line Question Option : No Option Orientation : Vertical

Correct Marks : 2 Wrong Marks : 0



Choose the correct alternative.

Cup is to coffee as bowl is to \_\_\_\_\_.

- |           |          |
|-----------|----------|
| (1) Dish  | (2) Soup |
| (3) Spoon | (4) Food |

Options :

64635071579. 1  
64635071580. 2  
64635071581. 3  
64635071582. 4

Question Number : 21 Question Id : 64635018229 Question Type : MCQ Option Shuffling : No Display Question Number : Yes  
Single Line Question Option : No Option Orientation : Vertical

Correct Marks : 2 Wrong Marks : 0

सही विकल्प चुनिए : कप और कॉफी में जो संबंध है वही संबंध कटोरा और \_\_\_\_\_ में है।

- |            |          |
|------------|----------|
| (1) व्यंजन | (2) सूप  |
| (3) चम्मच  | (4) भोजन |

Options :

64635071579. 1  
64635071580. 2  
64635071581. 3  
64635071582. 4

Question Number : 22 Question Id : 64635018230 Question Type : MCQ Option Shuffling : No Display Question Number : Yes  
Single Line Question Option : No Option Orientation : Vertical

Correct Marks : 2 Wrong Marks : 0

The sixth number in a sequence of numbers is 32 and each number after the first number in the sequence is 4 less than the number immediately preceding it. What is the third number in the sequence?

- |        |        |
|--------|--------|
| (1) 36 | (2) 40 |
| (3) 44 | (4) 48 |

Options :

64635071583. 1  
64635071584. 2  
64635071585. 3  
64635071586. 4

Question Number : 22 Question Id : 64635018230 Question Type : MCQ Option Shuffling : No Display Question Number : Yes  
Single Line Question Option : No Option Orientation : Vertical

Correct Marks : 2 Wrong Marks : 0

किसी संख्या क्रम में छठी संख्या 32 है और इस कड़ी में प्रथम संख्या के बाद आनेवाली प्रत्येक संख्या इसके ठीक पहले वाली संख्या से 4 कम है। इस श्रृंखला में तीसरी संख्या क्या है?

- |        |        |
|--------|--------|
| (1) 36 | (2) 40 |
| (3) 44 | (4) 48 |

Options :

64635071583. 1



64635071584. 2

64635071585. 3

64635071586. 4

Question Number : 23 Question Id : 64635018231 Question Type : MCQ Option Shuffling : No Display Question Number : Yes  
Single Line Question Option : No Option Orientation : Vertical

Correct Marks : 2 Wrong Marks : 0

In a class, 20% of the boys have blue eyes and 10% of the girls have blue eyes. If the ratio of boys to girls in the class is 4 : 3, then what is the portion of the students in the class having blue eyes?

(1) 12 / 33

(2) 14 / 45

(3) 11 / 45

(4) 11 / 70

Options :

64635071587. 1

64635071588. 2

64635071589. 3

64635071590. 4

Question Number : 23 Question Id : 64635018231 Question Type : MCQ Option Shuffling : No Display Question Number : Yes  
Single Line Question Option : No Option Orientation : Vertical

Correct Marks : 2 Wrong Marks : 0

किसी कक्षा में 20% लड़कों की आंखें नीली है और 10% लड़कियों की आंखें नीली है। यदि कक्षा में लड़के और लड़कियों का अनुपात 4 : 3 है तो कक्षा में नीली आंखे वाले विद्यार्थियों का अंश क्या है?

(1) 12/33

(2) 14/45

(3) 11/45

(4) 11/70

Options :

64635071587. 1

64635071588. 2

64635071589. 3

64635071590. 4

Question Number : 24 Question Id : 64635018232 Question Type : MCQ Option Shuffling : No Display Question Number : Yes  
Single Line Question Option : No Option Orientation : Vertical

Correct Marks : 2 Wrong Marks : 0

During one year, the population of a town increased by 5% and during the next year, the population decreased by 5%. If the total population is 29925 at the end of the second year, then what was the population size in the beginning of the first year?

(1) 25000

(2) 30000

(3) 33000

(4) 36000

Options :

64635071591. 1

64635071592. 2

64635071593. 3

64635071594. 4



Question Number : 24 Question Id : 64635018232 Question Type : MCQ Option Shuffling : No Display Question Number : Yes  
Single Line Question Option : No Option Orientation : Vertical  
Correct Marks : 2 Wrong Marks : 0

किसी नगर की जनसंख्या में एक वर्ष 5% की वृद्धि हुई और अगले वर्ष जनसंख्या में 5% की गिरावट आई। यदि दूसरे वर्ष के अंत में कुल आबादी 29925 है तो प्रथम वर्ष के आरंभ में कितनी जनसंख्या थी?

- |           |           |
|-----------|-----------|
| (1) 25000 | (2) 30000 |
| (3) 33000 | (4) 36000 |

Options :

64635071591. 1  
64635071592. 2  
64635071593. 3  
64635071594. 4

Question Number : 25 Question Id : 64635018233 Question Type : MCQ Option Shuffling : No Display Question Number : Yes  
Single Line Question Option : No Option Orientation : Vertical  
Correct Marks : 2 Wrong Marks : 0

The simple interest on a certain sum of money at the rate of 5% p.a. for four years is Rs. 420. At what rate of interest, the same amount of interest can be received on the same sum after two and half years?

- |        |         |
|--------|---------|
| (1) 4% | (2) 6%  |
| (3) 8% | (4) 10% |

Options :

64635071595. 1  
64635071596. 2  
64635071597. 3  
64635071598. 4

Question Number : 25 Question Id : 64635018233 Question Type : MCQ Option Shuffling : No Display Question Number : Yes  
Single Line Question Option : No Option Orientation : Vertical  
Correct Marks : 2 Wrong Marks : 0

किसी धनराशि का 5% की दर से साधारण ब्याज 420 रुपये है तो किस ब्याज दर पर उतनी ही धनराशि पर ढाड़ वर्ष के पश्चात् ब्याज की उतनी ही राशि प्राप्त की जा सकती है?

- |        |         |
|--------|---------|
| (1) 4% | (2) 6%  |
| (3) 8% | (4) 10% |

Options :

64635071595. 1  
64635071596. 2  
64635071597. 3  
64635071598. 4

Question Number : 26 Question Id : 64635018234 Question Type : MCQ Option Shuffling : No Display Question Number : Yes  
Single Line Question Option : No Option Orientation : Vertical  
Correct Marks : 2 Wrong Marks : 0



'All children are not greedy' is an example of which proposition?

- |                            |                         |
|----------------------------|-------------------------|
| (1) Universal Affirmative  | (2) Universal Negative  |
| (3) Particular affirmative | (4) Particular Negative |

Options :

64635071599. 1  
64635071600. 2  
64635071601. 3  
64635071602. 4

Question Number : 26 Question Id : 64635018234 Question Type : MCQ Option Shuffling : No Display Question Number : Yes  
Single Line Question Option : No Option Orientation : Vertical

Correct Marks : 2 Wrong Marks : 0

सभी बच्चे लालची नहीं हैं। यह किस तर्क वाक्य का उदाहरण है?

- |                          |                           |
|--------------------------|---------------------------|
| (1) सार्वभौमिक अस्तिवाचक | (2) सार्वभौमिक नास्तिवाचक |
| (3) विशिष्ट अस्तिवाचक    | (4) विशिष्ट अस्तिवाचक     |

Options :

64635071599. 1  
64635071600. 2  
64635071601. 3  
64635071602. 4

Question Number : 27 Question Id : 64635018235 Question Type : MCQ Option Shuffling : No Display Question Number : Yes  
Single Line Question Option : No Option Orientation : Vertical

Correct Marks : 2 Wrong Marks : 0

The argument which claims that its conclusion is conclusively supported by its premises is called

- |                            |                        |
|----------------------------|------------------------|
| (1) Analogical Argument    | (2) Inductive Argument |
| (3) Demonstrative Argument | (4) Deductive Argument |

Options :

64635071603. 1  
64635071604. 2  
64635071605. 3  
64635071606. 4

Question Number : 27 Question Id : 64635018235 Question Type : MCQ Option Shuffling : No Display Question Number : Yes  
Single Line Question Option : No Option Orientation : Vertical

Correct Marks : 2 Wrong Marks : 0

वह तर्क, जिसमें इस बात पर बल दिया जाता है कि उसमें प्राप्त निष्कर्ष आधारिकाओं द्वारा पूर्णतः समर्थित है, कहलाता है:

- |                     |                     |
|---------------------|---------------------|
| (1) सादृश्यपरक तर्क | (2) आगमनात्मक तर्क  |
| (3) प्रदर्शक तर्क   | (4) निगमनात्मक तर्क |

Options :



64635071603. 1  
64635071604. 2  
64635071605. 3  
64635071606. 4

Question Number : 28 Question Id : 64635018236 Question Type : MCQ Option Shuffling : No Display Question Number : Yes  
Single Line Question Option : No Option Orientation : Vertical

Correct Marks : 2 Wrong Marks : 0

In a school, there are five teachers. A and B both are teaching Hindi and English. C and B both are teaching English and Geography. D and A both are teaching Punjabi and Hindi. E and B both are teaching History and French

Who among the teachers is teaching maximum number of subjects?

- (1) A (2) B  
(3) D (4) C and E

Options :

64635071607. 1  
64635071608. 2  
64635071609. 3  
64635071610. 4

Question Number : 28 Question Id : 64635018236 Question Type : MCQ Option Shuffling : No Display Question Number : Yes  
Single Line Question Option : No Option Orientation : Vertical

Correct Marks : 2 Wrong Marks : 0

किसी विद्यालय में पांच अध्यापक हैं। A और B दोनों हिन्दी और अंग्रेजी का शिक्षण कर रहे हैं। C और B दोनों अंग्रेजी और भूगोल का शिक्षण कार्य कर रहे हैं। D और A दोनों पंजाबी और हिन्दी का शिक्षण कार्य कर रहे हैं। E और B दोनों इतिहास और फ्रेन्च का शिक्षण कर रहे हैं।

इन अध्यापकों में से कौन अध्यापक अधिकतम विषय का शिक्षण कार्य कर रहा है ?

- (1) A (2) B  
(3) D (4) C और E

Options :

64635071607. 1  
64635071608. 2  
64635071609. 3  
64635071610. 4

Question Number : 29 Question Id : 64635018237 Question Type : MCQ Option Shuffling : No Display Question Number : Yes  
Single Line Question Option : No Option Orientation : Vertical

Correct Marks : 2 Wrong Marks : 0

Consider the example provided below :

“There is no jar now on the ground”

Identify the means of knowledge (Pramana) involved in the example from the options given below :

- (1) Anupalabdhi (2) Arthāpatti  
(3) Pratyakshā (4) Anumāna



Options :

64635071611. 1  
64635071612. 2  
64635071613. 3  
64635071614. 4

Question Number : 29 Question Id : 64635018237 Question Type : MCQ Option Shuffling : No Display Question Number : Yes  
Single Line Question Option : No Option Orientation : Vertical

Correct Marks : 2 Wrong Marks : 0

नीचे दिए गए उदाहरण पर विचार कीजिए,

“अब जमीन पर कोई घट (जार) नहीं है।”

नीचे दिए गए विकल्प में से सही उत्तर चुनकर इस उदाहरण में अंतर्ग्रस्त ज्ञान (प्रमाण) के साधन की पहचान कीजिए :

- |               |                |
|---------------|----------------|
| (1) अनुपलब्धि | (2) अर्थापत्ति |
| (3) प्रत्यक्ष | (4) अनुमान     |

Options :

64635071611. 1  
64635071612. 2  
64635071613. 3  
64635071614. 4

Question Number : 30 Question Id : 64635018238 Question Type : MCQ Option Shuffling : No Display Question Number : Yes  
Single Line Question Option : No Option Orientation : Vertical

Correct Marks : 2 Wrong Marks : 0

Consider the argument given below :

“Sound is permanent because it is audible”

Identify the fallacy involved in the above argument on the basis of Indian logic from the options given below :

- |                                     |
|-------------------------------------|
| (1) Fallacy of trivial reason       |
| (2) Fallacy of irrelevant reason    |
| (3) Fallacy of contradictory reason |
| (4) Fallacy of wrong assertion      |

Options :

64635071615. 1  
64635071616. 2  
64635071617. 3  
64635071618. 4

Question Number : 30 Question Id : 64635018238 Question Type : MCQ Option Shuffling : No Display Question Number : Yes  
Single Line Question Option : No Option Orientation : Vertical

Correct Marks : 2 Wrong Marks : 0



नीचे दिए गए तर्क पर विचार कीजिए,

“ध्वनि स्थायी है क्योंकि यह श्रव्य है।”

नीचे दिए गए विकल्पों में से भारतीय तर्क के आधार पर उपयुक्त तर्क में अंतर्ग्रस्त विभ्रम की पहचान कीजिए :

- (1) तुच्छ तर्क विभ्रम
- (2) असंगत तर्क विभ्रम
- (3) विरोधाभासी तर्क विभ्रम
- (4) गलत अभिकथन विभ्रम

Options :

64635071615. 1  
64635071616. 2  
64635071617. 3  
64635071618. 4

Sub-Section Number: 4  
Sub-Section Id: 646350889  
Question Shuffling Allowed : Yes

Question Id : 64635018239 Question Type : COMPREHENSION Sub Question Shuffling Allowed : Yes Group Comprehension Questions : No

Question Numbers : (31 to 35)

Question Label : Comprehension

Consider the following table that shows the percentage (%) distribution of population of six cities A-F, ratio of males to females and the percentage (%) of adult population in these cities. Total population of these six cities is 24 lakhs. In accordance with the table, answer the questions that follow (Questions 31 - 35) :

Population city wise			
City	% of population	Male : Female	% Adult
A	21	4 : 3	60
B	18	5 : 4	64
C	16	5 : 3	72
D	20	2 : 3	70
E	10	1 : 1	75
F	15	3 : 2	65

Sub questions

Question Number : 31 Question Id : 64635018240 Question Type : MCQ Option Shuffling : No Display Question Number : Yes Single Line Question Option : No Option Orientation : Vertical

Correct Marks : 2 Wrong Marks : 0



What is the total number of male population in City D?

- (1) 1.88 lakh (2) 1.92 lakh  
(3) 1.96 lakh (4) 2.04 lakh

Options :

64635071619. 1  
64635071620. 2  
64635071621. 3  
64635071622. 4

Question Number : 32 Question Id : 64635018241 Question Type : MCQ Option Shuffling : No Display Question Number : Yes  
Single Line Question Option : No Option Orientation : Vertical

Correct Marks : 2 Wrong Marks : 0

What is the number of persons in City C who are not adult?

- (1) 107520 (2) 108410  
(3) 109560 (4) 110800

Options :

64635071623. 1  
64635071624. 2  
64635071625. 3  
64635071626. 4

Question Number : 33 Question Id : 64635018242 Question Type : MCQ Option Shuffling : No Display Question Number : Yes  
Single Line Question Option : No Option Orientation : Vertical

Correct Marks : 2 Wrong Marks : 0

What is the difference between the number of males and the number of females in City B?

- (1) 42000 (2) 44000  
(3) 45000 (4) 48000

Options :

64635071627. 1  
64635071628. 2  
64635071629. 3  
64635071630. 4

Question Number : 34 Question Id : 64635018243 Question Type : MCQ Option Shuffling : No Display Question Number : Yes  
Single Line Question Option : No Option Orientation : Vertical

Correct Marks : 2 Wrong Marks : 0

The number of adults in City E is what percent of the number of males in City D?

- (1) 82.5 % (2) 87.75 %  
(3) 92.5 % (4) 93.75 %

Options :

64635071631. 1



64635071632. 2

64635071633. 3

64635071634. 4

Question Number : 35 Question Id : 64635018244 Question Type : MCQ Option Shuffling : No Display Question Number : Yes  
Single Line Question Option : No Option Orientation : Vertical

Correct Marks : 2 Wrong Marks : 0

What is the number of persons of City F who are adult?

- (1) 232000 (2) 230000  
(3) 234000 (4) 242000

Options :

64635071635. 1

64635071636. 2

64635071637. 3

64635071638. 4

Question Id : 64635018239 Question Type : COMPREHENSION Sub Question Shuffling Allowed : Yes Group Comprehension  
Questions : No

Question Numbers : (31 to 35)

Question Label : Comprehension

निम्नलिखित तालिका जिसमें छह शहरों A – F की जनसंख्या का प्रतिशत वितरण, पुरुष और महिला अनुपात और इन शहरों में वयस्क व्यक्तियों का प्रतिशत दर्शाया गया है, पर विचार कीजिए। इन छह शहरों की कुल जनसंख्या 24 लाख है। तालिका के अनुसार प्रश्न सं 31-35 के उत्तर दीजिए :

शहर	शहर-वार जनसंख्या		
	जनसंख्या का %	पुरुष : महिला	% वयस्क
A	21	4 : 3	60
B	18	5 : 4	64
C	16	5 : 3	72
D	20	2 : 3	70
E	10	1 : 1	75
F	15	3 : 2	65

Sub questions

Question Number : 31 Question Id : 64635018240 Question Type : MCQ Option Shuffling : No Display Question Number : Yes  
Single Line Question Option : No Option Orientation : Vertical

Correct Marks : 2 Wrong Marks : 0

D-शहर में पुरुष की कुल जनसंख्या है?

- (1) 1.88 लाख (2) 1.92 लाख  
(3) 1.96 लाख (4) 2.04 लाख

Options :

64635071619. 1

64635071620. 2

64635071621. 3



64635071622. 4

Question Number : 32 Question Id : 64635018241 Question Type : MCQ Option Shuffling : No Display Question Number : Yes  
Single Line Question Option : No Option Orientation : Vertical

Correct Marks : 2 Wrong Marks : 0

C-शहर में उन व्यक्तियों की संख्या कितनी है जो वयस्क नहीं है?

- |            |            |
|------------|------------|
| (1) 107520 | (2) 108410 |
| (3) 109560 | (4) 110800 |

Options :

64635071623. 1

64635071624. 2

64635071625. 3

64635071626. 4

Question Number : 33 Question Id : 64635018242 Question Type : MCQ Option Shuffling : No Display Question Number : Yes  
Single Line Question Option : No Option Orientation : Vertical

Correct Marks : 2 Wrong Marks : 0

B-शहर में पुरुष और महिला की संख्या में कितना अंतर है?

- |           |           |
|-----------|-----------|
| (1) 42000 | (2) 44000 |
| (3) 45000 | (4) 48000 |

Options :

64635071627. 1

64635071628. 2

64635071629. 3

64635071630. 4

Question Number : 34 Question Id : 64635018243 Question Type : MCQ Option Shuffling : No Display Question Number : Yes  
Single Line Question Option : No Option Orientation : Vertical

Correct Marks : 2 Wrong Marks : 0

D-शहर में पुरुषों की कुल संख्या का कितना प्रतिशत E-शहर में वयस्क है?

- |            |             |
|------------|-------------|
| (1) 82.5 % | (2) 87.75 % |
| (3) 92.5 % | (4) 93.75 % |

Options :

64635071631. 1

64635071632. 2

64635071633. 3

64635071634. 4

Question Number : 35 Question Id : 64635018244 Question Type : MCQ Option Shuffling : No Display Question Number : Yes  
Single Line Question Option : No Option Orientation : Vertical

Correct Marks : 2 Wrong Marks : 0



F-शहर में कितने व्यक्ति वयस्क हैं?

- |            |            |
|------------|------------|
| (1) 232000 | (2) 230000 |
| (3) 234000 | (4) 242000 |

Options :

64635071635. 1  
64635071636. 2  
64635071637. 3  
64635071638. 4

Sub-Section Number: 5  
Sub-Section Id: 646350890  
Question Shuffling Allowed : Yes

Question Number : 36 Question Id : 64635018245 Question Type : MCQ Option Shuffling : No Display Question Number : Yes  
Single Line Question Option : No Option Orientation : Vertical  
Correct Marks : 2 Wrong Marks : 0

You need to use automatic calculations in preparing a budget. Which software application should be used?

- |                     |                        |
|---------------------|------------------------|
| (1) Spreadsheet     | (2) Presentation       |
| (3) Word processing | (4) Desktop publishing |

Options :

64635071639. 1  
64635071640. 2  
64635071641. 3  
64635071642. 4

Question Number : 36 Question Id : 64635018245 Question Type : MCQ Option Shuffling : No Display Question Number : Yes  
Single Line Question Option : No Option Orientation : Vertical  
Correct Marks : 2 Wrong Marks : 0

बजट निर्माण में आपको ओटोमेटिक परिकलन करना पड़ता है। उसके लिए किस सॉफ्टवेयर का प्रयोग किया जाना चाहिए?

- |                     |                        |
|---------------------|------------------------|
| (1) स्प्रेडशीट      | (2) प्रेजेंटेशन        |
| (3) वर्ड प्रोसेसिंग | (4) डेस्कटॉप पब्लिशिंग |

Options :

64635071639. 1  
64635071640. 2  
64635071641. 3  
64635071642. 4

Question Number : 37 Question Id : 64635018246 Question Type : MCQ Option Shuffling : No Display Question Number : Yes  
Single Line Question Option : No Option Orientation : Vertical  
Correct Marks : 2 Wrong Marks : 0



In the context of IT/ICT, which one of the following statements about spamming is true?

- (1) Spamming is posting or e-mailing unsolicited advertising messages to a wide audience
- (2) Spamming is sending lines of nonsensical garbage in a chat conversation
- (3) Spamming is posting a message that contains graphic description of something offensive
- (4) Spamming is an attempt to acquire sensitive information for malicious reasons, by masquerading as trustworthy entity

Options :

- 64635071643. 1
- 64635071644. 2
- 64635071645. 3
- 64635071646. 4

Question Number : 37 Question Id : 64635018246 Question Type : MCQ Option Shuffling : No Display Question Number : Yes  
Single Line Question Option : No Option Orientation : Vertical

Correct Marks : 2 Wrong Marks : 0

IT/ICT के संदर्भ में, स्पैमिंग के बारे में कौनसा कथन सही है?

- (1) स्पैमिंग बड़ी संख्या में श्रोताओं को अयाचित विज्ञापन संदेश भेजना या उन्हें इ-मेल करना है।
- (2) स्पैमिंग चैट वार्ता में अनर्थक निरर्थक संवाद की पंक्तियां लिखकर भेजना है।
- (3) स्पैमिंग ऐसे संदेश को पोस्ट करता है, जिसमें किसी आपत्तिजनक लेख अंतर्विष्ट है।
- (4) स्पैमिंग विश्वास पात्र व्यक्ति के रूप में छल साधन कर दुर्भावनापूर्ण कारणों से संवेदी सूचना प्राप्त करना है।

Options :

- 64635071643. 1
- 64635071644. 2
- 64635071645. 3
- 64635071646. 4

Question Number : 38 Question Id : 64635018247 Question Type : MCQ Option Shuffling : No Display Question Number : Yes  
Single Line Question Option : No Option Orientation : Vertical

Correct Marks : 2 Wrong Marks : 0

A virus type that is capable of transferring from one computer to another without any 'user interaction' is known as

- |                 |                       |
|-----------------|-----------------------|
| (1) Worm        | (2) Trojan            |
| (3) Key logging | (4) Boot sector virus |

Options :

- 64635071647. 1
- 64635071648. 2
- 64635071649. 3
- 64635071650. 4

Question Number : 38 Question Id : 64635018247 Question Type : MCQ Option Shuffling : No Display Question Number : Yes  
Single Line Question Option : No Option Orientation : Vertical

Correct Marks : 2 Wrong Marks : 0



ऐसा वायरस जिससे 'यूजर इन्टरैक्शन' के बिना ही एक कंप्यूटर से दूसरे कंप्यूटर में अंतरित किया जा सकता है, इसे क्या कहा जाता है ?

- (1) वर्म (2) ट्रोजन  
(3) की लॉगिंग (4) बूट सेक्टर वायरस

Options :

64635071647. 1  
64635071648. 2  
64635071649. 3  
64635071650. 4

Question Number : 39 Question Id : 64635018248 Question Type : MCQ Option Shuffling : No Display Question Number : Yes  
Single Line Question Option : No Option Orientation : Vertical

Correct Marks : 2 Wrong Marks : 0

Which statement is true about Random Access Memory (RAM) in a computer system?

- (1) RAM is non-volatile and the amount of RAM in a computer system cannot affect its performance  
(2) RAM is non-volatile and the amount of RAM in a computer system can affect its performance  
(3) RAM is volatile and the amount of RAM in a computer cannot affect its performance  
(4) RAM is volatile and the amount of RAM in a computer system can affect its performance

Options :

64635071651. 1  
64635071652. 2  
64635071653. 3  
64635071654. 4

Question Number : 39 Question Id : 64635018248 Question Type : MCQ Option Shuffling : No Display Question Number : Yes  
Single Line Question Option : No Option Orientation : Vertical

Correct Marks : 2 Wrong Marks : 0

Random Access Memory (RAM) के बारे में निम्नलिखित में से कौन सा कथन सही है:

- (1) RAM अपरिवर्तनीय है और कंप्यूटर सिस्टम में RAM की मात्रा से उसका कार्य निष्पादन प्रभावित नहीं होता है।  
(2) RAM अपरिवर्तनीय है और कंप्यूटर सिस्टम में RAM की मात्रा से उसका कार्य निष्पादन प्रभावित होता है।  
(3) RAM परिवर्तनीय है और कंप्यूटर सिस्टम में RAM की मात्रा से उसका कार्य निष्पादन प्रभावित नहीं हो सकता है।  
(4) RAM परिवर्तनीय है और कंप्यूटर सिस्टम में RAM की मात्रा से उसका कार्य निष्पादन प्रभावित हो सकता है।

Options :

64635071651. 1  
64635071652. 2  
64635071653. 3  
64635071654. 4



Question Number : 40 Question Id : 64635018249 Question Type : MCQ Option Shuffling : No Display Question Number : Yes  
Single Line Question Option : No Option Orientation : Vertical

Correct Marks : 2 Wrong Marks : 0

What is the binary equivalent of decimal number 75?

- |             |             |
|-------------|-------------|
| (1) 1101001 | (2) 101001  |
| (3) 100101  | (4) 1001011 |

Options :

64635071655. 1  
64635071656. 2  
64635071657. 3  
64635071658. 4

Question Number : 40 Question Id : 64635018249 Question Type : MCQ Option Shuffling : No Display Question Number : Yes  
Single Line Question Option : No Option Orientation : Vertical

Correct Marks : 2 Wrong Marks : 0

दशमलव संख्या 75 का द्वि-आधारी समतुल्यांक क्या है?

- |             |             |
|-------------|-------------|
| (1) 1101001 | (2) 101001  |
| (3) 100101  | (4) 1001011 |

Options :

64635071655. 1  
64635071656. 2  
64635071657. 3  
64635071658. 4

Question Number : 41 Question Id : 64635018250 Question Type : MCQ Option Shuffling : No Display Question Number : Yes  
Single Line Question Option : No Option Orientation : Vertical

Correct Marks : 2 Wrong Marks : 0

The target set by Indian government for power from roof-top solar installations by the year 2022 is

- |             |              |
|-------------|--------------|
| (1) 40.0 GW | (2) 50.0 GW  |
| (3) 60.0 GW | (4) 100.0 GW |

Options :

64635071659. 1  
64635071660. 2  
64635071661. 3  
64635071662. 4

Question Number : 41 Question Id : 64635018250 Question Type : MCQ Option Shuffling : No Display Question Number : Yes  
Single Line Question Option : No Option Orientation : Vertical

Correct Marks : 2 Wrong Marks : 0



भारत सरकार द्वारा वर्ष 2022 तक छत के ऊपर विद्युत के लिए ऊर्जा पैनल संस्थापन का निर्धारित लक्ष्य है :

- |                  |                   |
|------------------|-------------------|
| (1) 40.0 गीगावाट | (2) 50.0 गीगावाट  |
| (3) 60.0 गीगावाट | (4) 100.0 गीगावाट |

Options :

64635071659. 1  
64635071660. 2  
64635071661. 3  
64635071662. 4

Question Number : 42 Question Id : 64635018251 Question Type : MCQ Option Shuffling : No Display Question Number : Yes  
Single Line Question Option : No Option Orientation : Vertical

Correct Marks : 2 Wrong Marks : 0

How many National Missions of Indian Government are there to address the problem of climate change?

- |        |        |
|--------|--------|
| (1) 6  | (2) 8  |
| (3) 12 | (4) 17 |

Options :

64635071663. 1  
64635071664. 2  
64635071665. 3  
64635071666. 4

Question Number : 42 Question Id : 64635018251 Question Type : MCQ Option Shuffling : No Display Question Number : Yes  
Single Line Question Option : No Option Orientation : Vertical

Correct Marks : 2 Wrong Marks : 0

जलवायु परिवर्तन की समस्या के समाधान के लिये भारत सरकार के कितने राष्ट्रीय मिशन हैं?

- |        |       |
|--------|-------|
| (1) 6  | (2) 8 |
| (3) 12 | (4) 7 |

Options :

64635071663. 1  
64635071664. 2  
64635071665. 3  
64635071666. 4

Question Number : 43 Question Id : 64635018252 Question Type : MCQ Option Shuffling : No Display Question Number : Yes  
Single Line Question Option : No Option Orientation : Vertical

Correct Marks : 2 Wrong Marks : 0

Which of the following types of energy sources employ direct energy conversion process to produce electricity?

- |                |             |
|----------------|-------------|
| (1) Biomass    | (2) Wind    |
| (3) Geothermal | (4) Nuclear |

Options :



64635071667. 1  
64635071668. 2  
64635071669. 3  
64635071670. 4

Question Number : 43 Question Id : 64635018252 Question Type : MCQ Option Shuffling : No Display Question Number : Yes  
Single Line Question Option : No Option Orientation : Vertical

Correct Marks : 2 Wrong Marks : 0

निम्नलिखित में से किस उर्जा स्रोत का उपयोग विद्युत उत्पादन में ऊर्जा संपरिवर्तन के लिए किया जाता है?

- |               |                |
|---------------|----------------|
| (1) बायोमास   | (2) वायु       |
| (3) जीयोथर्मल | (4) न्यूक्लियर |

Options :

64635071667. 1  
64635071668. 2  
64635071669. 3  
64635071670. 4

Question Number : 44 Question Id : 64635018253 Question Type : MCQ Option Shuffling : No Display Question Number : Yes  
Single Line Question Option : No Option Orientation : Vertical

Correct Marks : 2 Wrong Marks : 0

A geothermal reserve has the stored heat of  $5 \times 10^{19} \text{ J}$ . If the over all efficiency of a geothermal power plant based on this reserve is 0.04, how much power can be produced by the plant in 1 year?

- |               |                |
|---------------|----------------|
| (1) ~ 0.32 GW | (2) ~ 0.64 GW  |
| (3) ~ 2.62 GW | (4) ~ 63.41 GW |

Options :

64635071671. 1  
64635071672. 2  
64635071673. 3  
64635071674. 4

Question Number : 44 Question Id : 64635018253 Question Type : MCQ Option Shuffling : No Display Question Number : Yes  
Single Line Question Option : No Option Orientation : Vertical

Correct Marks : 2 Wrong Marks : 0

किसी भूगर्भतापीय आरक्षिति में  $5 \times 10^{19} \text{ J}$  ताप संगृहीत है। यदि इस आरक्षिति के आधार पर किसी भू-तापीय विद्युत संचय की कुल क्षमता 0.04 है तो इस संचय से 1 वर्ष की समयावधि में कितना विद्युत उत्पन्न किया जा सकता है?

- |                    |                     |
|--------------------|---------------------|
| (1) ~ 0.32 गीगावाट | (2) ~ 0.64 गीगावाट  |
| (3) ~ 2.62 गीगावाट | (4) ~ 63.41 गीगावाट |

Options :

64635071671. 1  
64635071672. 2  
64635071673. 3  
64635071674. 4



Question Number : 45 Question Id : 64635018254 Question Type : MCQ Option Shuffling : No Display Question Number : Yes  
Single Line Question Option : No Option Orientation : Vertical  
Correct Marks : 2 Wrong Marks : 0

Which of the following materials is widely used in solar cell fabrication?

- |              |              |
|--------------|--------------|
| (1) Nubidium | (2) Silicon  |
| (3) Nickel   | (4) Chromium |

Options :

64635071675. 1  
64635071676. 2  
64635071677. 3  
64635071678. 4

Question Number : 45 Question Id : 64635018254 Question Type : MCQ Option Shuffling : No Display Question Number : Yes  
Single Line Question Option : No Option Orientation : Vertical  
Correct Marks : 2 Wrong Marks : 0

सोलर सेल निर्माण में व्यापक रूप से प्रयुक्त सामग्री है :

- |                |              |
|----------------|--------------|
| (1) न्यूबिडियम | (2) सिलिकन   |
| (3) निकेल      | (4) क्रोमियम |

Options :

64635071675. 1  
64635071676. 2  
64635071677. 3  
64635071678. 4

Question Number : 46 Question Id : 64635018255 Question Type : MCQ Option Shuffling : No Display Question Number : Yes  
Single Line Question Option : No Option Orientation : Vertical  
Correct Marks : 2 Wrong Marks : 0

The introduction of MOOC in open and distance learning programmes is justified because of its

- |                             |                                  |
|-----------------------------|----------------------------------|
| (1) Low cost considerations | (2) Accessibility considerations |
| (3) Speed considerations    | (4) Novelty considerations       |

Options :

64635071679. 1  
64635071680. 2  
64635071681. 3  
64635071682. 4

Question Number : 46 Question Id : 64635018255 Question Type : MCQ Option Shuffling : No Display Question Number : Yes  
Single Line Question Option : No Option Orientation : Vertical  
Correct Marks : 2 Wrong Marks : 0



मुक्त और दूरस्थ अभिगम प्रोग्राम में MOOC का समावेश न्यायोचित है :

- |                           |                          |
|---------------------------|--------------------------|
| (1) न्यून लागत के आधार पर | (2) अभिगम्यता के आधार पर |
| (3) गति के आधार पर        | (4) नवाचार के आधार पर    |

Options :

64635071679. 1  
64635071680. 2  
64635071681. 3  
64635071682. 4

Question Number : 47 Question Id : 64635018256 Question Type : MCQ Option Shuffling : No Display Question Number : Yes  
Single Line Question Option : No Option Orientation : Vertical

Correct Marks : 2 Wrong Marks : 0

“Gyan Darshan” launched by IGNOU refers to which one of the following?

- (1) Satellite based educational T.V. Channel
- (2) Educational FM radio network
- (3) Global initiative of Academic networks
- (4) Online courses

Options :

64635071683. 1  
64635071684. 2  
64635071685. 3  
64635071686. 4

Question Number : 47 Question Id : 64635018256 Question Type : MCQ Option Shuffling : No Display Question Number : Yes  
Single Line Question Option : No Option Orientation : Vertical

Correct Marks : 2 Wrong Marks : 0

इन्डू द्वारा आरंभ-किया गया ज्ञान दर्शन है :-

- (1) उपग्रह आधारित शैक्षिक टी. वी. चैनल
- (2) शैक्षणिक एफ एम रेडियो नेटवर्क
- (3) अकादमी नेटवर्क की वैश्विक पहल
- (4) ऑनलाइन पाठ्यक्रम

Options :

64635071683. 1  
64635071684. 2  
64635071685. 3  
64635071686. 4

Question Number : 48 Question Id : 64635018257 Question Type : MCQ Option Shuffling : No Display Question Number : Yes  
Single Line Question Option : No Option Orientation : Vertical

Correct Marks : 2 Wrong Marks : 0



Through which Act University Grants Commission came into existence?

- (1) UGC Act – 1956
- (2) UGC Act – 1949
- (3) UGC Act – 1944
- (4) UGC Act – 1968

Options :

64635071687. 1  
64635071688. 2  
64635071689. 3  
64635071690. 4

Question Number : 48 Question Id : 64635018257 Question Type : MCQ Option Shuffling : No Display Question Number : Yes  
Single Line Question Option : No Option Orientation : Vertical

Correct Marks : 2 Wrong Marks : 0

विश्वविद्यालय अनुदान आयोग की स्थापना किस अधिनियम के अधीन हुई थी?

- (1) विश्वविद्यालय अनुदान आयोग अधिनियम 1956
- (2) विश्वविद्यालय अनुदान आयोग अधिनियम 1949
- (3) विश्वविद्यालय अनुदान आयोग अधिनियम 1944
- (4) विश्वविद्यालय अनुदान आयोग अधिनियम 1968

Options :

64635071687. 1  
64635071688. 2  
64635071689. 3  
64635071690. 4

Question Number : 49 Question Id : 64635018258 Question Type : MCQ Option Shuffling : No Display Question Number : Yes  
Single Line Question Option : No Option Orientation : Vertical

Correct Marks : 2 Wrong Marks : 0

Which one of the following institutions was established as a consequence to the closure of Inter-University Board brought in for promotion of cooperation among the Universities in the field of education and allied areas?

- (1) Association of Central Universities
- (2) University Grants Commission
- (3) IAS, Shimla
- (4) Association of Indian Universities

Options :

64635071691. 1



64635071692. 2

64635071693. 3

64635071694. 4

Question Number : 49 Question Id : 64635018258 Question Type : MCQ Option Shuffling : No Display Question Number : Yes  
Single Line Question Option : No Option Orientation : Vertical

Correct Marks : 2 Wrong Marks : 0

शिक्षा और संबद्ध क्षेत्रों में विभिन्न विश्वविद्यालयों के मध्य सहयोग को बढ़ावा देने के लिए अन्तः विश्वविद्यालय बोर्ड के बंद होने के फलस्वरूप निम्नलिखित में से किस संस्था की स्थापना की गई?

- (1) एसोसिएशन ऑफ सेंट्रल यूनिवर्सिटीज
- (2) विश्वविद्यालय अनुदान आयोग
- (3) आइ. आइ. ए. एस. शिमला
- (4) एसोसिएशन ओफ इंडियन यूनिवर्सिटीज

Options :

64635071691. 1

64635071692. 2

64635071693. 3

64635071694. 4

Question Number : 50 Question Id : 64635018259 Question Type : MCQ Option Shuffling : No Display Question Number : Yes  
Single Line Question Option : No Option Orientation : Vertical

Correct Marks : 2 Wrong Marks : 0

Which of the following instructional designs is part of SWAYAM launched by Government of India?

- (i) E-Tutorial
- (ii) E-Content
- (iii) Assessment
- (iv) Discussion Forum
- (v) Classroom teaching

Choose the correct option from below

- (1) (i) and (ii) only
- (2) (i), (iii), (iv) and (v) only
- (3) (i), (ii), (iii) and (iv) only
- (4) (iii) and (v) only

Options :

64635071695. 1

64635071696. 2



64635071697. 3

64635071698. 4

Question Number : 50 Question Id : 64635018259 Question Type : MCQ Option Shuffling : No Display Question Number : Yes  
Single Line Question Option : No Option Orientation : Vertical

Correct Marks : 2 Wrong Marks : 0

भारत सरकार द्वारा शुरू किए गए स्वयं (SWAYAM) का अनुदेशात्मक अभिकल्प है :

- (i) ई-ट्यूटोरियल
- (ii) ई कंटेंट
- (iii) आकलन
- (iv) विमर्शमंच
- (v) कक्षागत शिक्षण

नीचे दिए गए विकल्प में से सही उत्तर चुनिए :

- (1) केवल (i) और (ii)
- (2) केवल (i), (iii), (iv) और (v)
- (3) केवल (i), (ii), (iii) और (iv)
- (4) (iii) केवल और (v)

Options :

64635071695. 1

64635071696. 2

64635071697. 3

64635071698. 4

## PART II Population Studies

Section Id :	646350398
Section Number :	2
Section type :	Online
Mandatory or Optional:	Mandatory
Number of Questions:	86
Number of Questions to be attempted:	86
Section Marks:	200
Display Number Panel:	Yes
Group All Questions:	No

Sub-Section Number:	1
Sub-Section Id:	646350891
Question Shuffling Allowed :	Yes



Question Id : 64635018260 Question Type : COMPREHENSION Sub Question Shuffling Allowed : Yes Group Comprehension Questions : No

Question Numbers : (51 to 55)

Question Label : Comprehension

**Direction :** Answer on the basis of the following paragraph :

Population ageing is a worldwide phenomenon, owing first to declining fertility rates and second to increased life expectancy. In every region of the world, women are having fewer children than three decades ago. In the early 1970s, the total fertility rate worldwide was estimated at 4.5 children for each woman, compared with 2.7 in 2000.

At the same time, advances in nutrition, medicine and lifestyle have resulted in people living longer. Life expectancy worldwide increased from 45 years in 1945 to 70 years in 2000 and is projected to reach 80 years by 2050. Nearly one in four persons will be over 60 years old for the first time in history, they will outnumber children.

In nearly all countries, women live longer than men. The gap can be as much as 10.5 years in Eastern Europe, and as low as 3 years in South Central Asia. Women make up 55 percent of older people globally. Although the proportion of older people to younger ones is currently higher in developed countries, the demographics of ageing are such that by 2025, 75 percent of the 1.2 billion people over 60 years old will live in developing countries.

Widowhood for women over age 60 is most prevalent in Northern Africa and Central Asia and lowest in Latin America. About 10 percent of women in India are widows. Widowers do not suffer the social stigma, restrictions and taboos associated with widows. Widow remarriages are also restricted than the remarriages among the widower.

(Source : Based on Gender Dimensions of Ageing, (April, 2002) by UN Division for the Advancement of Women, Department of Economic and Social Affairs, downloaded on 15th February, 2019)

Sub questions

Question Number : 51 Question Id : 64635018261 Question Type : MCQ Option Shuffling : No Display Question Number : Yes Single Line Question Option : No Option Orientation : Vertical

Correct Marks : 2 Wrong Marks : 0

Which among the following processes has resulted into population ageing?

1. Declining fertility
2. Declining mortality
3. Increase in life expectancy
4. Decrease in fertility along with increase in longevity

Options :

64635071699. 1

64635071700. 2

64635071701. 3

64635071702. 4

Question Number : 52 Question Id : 64635018262 Question Type : MCQ Option Shuffling : No Display Question Number : Yes Single Line Question Option : No Option Orientation : Vertical

Correct Marks : 2 Wrong Marks : 0



Which among the following provides the correct male-to-female ratio among the aged population?

1. 45 : 55
2. 50 : 50
3. 55 : 45
4. 60 : 40

**Options :**

64635071703. 1  
64635071704. 2  
64635071705. 3  
64635071706. 4

**Question Number : 53 Question Id : 64635018263 Question Type : MCQ Option Shuffling : No Display Question Number : Yes Single Line Question Option : No Option Orientation : Vertical**

**Correct Marks : 2 Wrong Marks : 0**

Which of the following is the decadal improvement in the projected life expectancy between 2000 and 2050?

1. 1 year
2. 2 years
3. 3 years
4. 4 years

**Options :**

64635071707. 1  
64635071708. 2  
64635071709. 3  
64635071710. 4

**Question Number : 54 Question Id : 64635018264 Question Type : MCQ Option Shuffling : No Display Question Number : Yes Single Line Question Option : No Option Orientation : Vertical**

**Correct Marks : 2 Wrong Marks : 0**

What will be the size of the old population of the developing countries by 2025?

1. 0.3 billion
2. 0.6 billion
3. 0.9 billion
4. 1.0 billion

**Options :**

64635071711. 1  
64635071712. 2  
64635071713. 3  
64635071714. 4



Question Number : 55 Question Id : 64635018265 Question Type : MCQ Option Shuffling : No Display Question Number : Yes  
Single Line Question Option : No Option Orientation : Vertical

Correct Marks : 2 Wrong Marks : 0

Which among the following regions has lowest prevalence of widowhood?

1. North America
2. Central Asia
3. Eastern Asia
4. Latin America

Options :

64635071715. 1

64635071716. 2

64635071717. 3

64635071718. 4

Question Id : 64635018260 Question Type : COMPREHENSION Sub Question Shuffling Allowed : Yes Group Comprehension Questions : No

Question Numbers : (51 to 55)

Question Label : Comprehension

**निर्देश :** दिए गए पैराग्राफ के आधार पर प्रश्न के उत्तर दीजिए :

वृद्धावस्था समस्त विश्व में दृष्टिगोचर हो रही है, इसका पहला कारण घटता हुआ प्रजनन दर है और दूसरा कारण बढ़ा हुआ जीवनकाल है। विश्व के प्रत्येक हिस्से में महिलाओं की संतति की संख्या तीन दशक पूर्व बच्चों की अपेक्षाकृत कम है। सन् 1970 के आरंभिक दशक में पूरे विश्व में कुल प्रजनन दर प्रत्येक महिला के लिए 4.5 आंका गया था जबकि वर्ष 2000 में यह घटकर 2.7 हो गया है।

इसके साथ-साथ, पोषण, औषधि और जीवन शैली में अभिवृद्धि होने के फलस्वरूप लोगों की आयु में बढ़ोतरी हुई है। वर्ष 1945 में जहाँ विश्व स्तर पर जीवनकाल 45 वर्ष था, वह वर्ष 2000 में बढ़कर 70 वर्ष हो गया और वर्ष 2050 तक इसके 80 वर्ष तक पहुँचने की संभावना है। इतिहास में ऐसा पहली बार होगा कि चार व्यक्तियों में लगभग एक व्यक्ति 60 वर्ष से अधिक आयु का होगा और उनकी संख्या बच्चों से अधिक होगी।

लगभग सभी देशों में महिलाओं की आयु पुरुषों से अधिक होती है। इनकी आयु का अन्तर पूर्वी यूरोप में 10.5 वर्ष तक का और दक्षिण मध्य एशिया में 3 वर्ष तक का हो सकता है। पूरे विश्व में कुल वृद्ध व्यक्तियों में महिलाओं की संख्या

55 प्रतिशत है। यद्यपि वृद्ध व्यक्ति और युवा व्यक्ति का अनुपात विकसित देशों में अधिक है तथापि वृद्ध व्यक्तियों की संख्या इतनी है कि वर्ष 2025 तक विकासशील देशों में 1.2 बिलियन लोगों में से 75 प्रतिशत 60 वर्ष से अधिक आयु के लोग होंगे।

60 वर्ष से ऊपर की आयु में विधवा होने वाली महिलाओं की संख्या उत्तरी अमेरिका और मध्य एशिया में सर्वाधिक है जबकि लैटिन अमेरिका में इनकी संख्या न्यूनतम है। भारत में लगभग 10 प्रतिशत महिलाएँ विधवा हैं। विधुर पर सामाजिक कलंक, प्रतिबंध, निषेध-नियम नहीं लगता है जिससे विधवाओं को गुजरना पड़ता है। विधुर के पुनर्विवाह करने की अपेक्षा विधवा पुनर्विवाह भी प्रतिबंधित है।

(स्रोत : महिलाओं की प्रगति के निमित्त सं. रा. प्रभाग आर्थिक और सामाजिक कार्य/विभाग द्वारा वृद्धावस्था के नर-नारी आयाम (अप्रैल, 2002) पर आधारित, (15 फरवरी, 2019 को डाउनलोड किया गया)

Sub questions

Question Number : 51 Question Id : 64635018261 Question Type : MCQ Option Shuffling : No Display Question Number : Yes  
Single Line Question Option : No Option Orientation : Vertical

Correct Marks : 2 Wrong Marks : 0



निम्नलिखित में से किन कारकों के कारण जनसंख्या में वृद्धावस्था उत्पन्न हुई है?

1. घटता हुआ प्रजनन दर
2. घटता हुआ मृत्यु दर
3. जीवन अवधि में वृद्धि
4. दीर्घायु होने के साथ-साथ प्रजनन दर में हास

Options :

64635071699. 1  
64635071700. 2  
64635071701. 3  
64635071702. 4

Question Number : 52 Question Id : 64635018262 Question Type : MCQ Option Shuffling : No Display Question Number : Yes  
Single Line Question Option : No Option Orientation : Vertical

Correct Marks : 2 Wrong Marks : 0

निम्न में कौन वृद्ध व्यक्तियों में सही पुरुष-महिला अनुपात है?

1. 45 : 55
2. 50 : 50
3. 55 : 45
4. 60 : 40

Options :

64635071703. 1  
64635071704. 2  
64635071705. 3  
64635071706. 4

Question Number : 53 Question Id : 64635018263 Question Type : MCQ Option Shuffling : No Display Question Number : Yes  
Single Line Question Option : No Option Orientation : Vertical

Correct Marks : 2 Wrong Marks : 0

वर्ष 2000 और 2050 के बीच अनुमानित जीवनकाल में एक दशक में होने वाली अभिवृद्धि निम्न में कौन सी है?

1. 1 वर्ष
2. 2 वर्ष
3. 3 वर्ष
4. 4 वर्ष

Options :

64635071707. 1  
64635071708. 2  
64635071709. 3  
64635071710. 4



Question Number : 54 Question Id : 64635018264 Question Type : MCQ Option Shuffling : No Display Question Number : Yes  
Single Line Question Option : No Option Orientation : Vertical  
Correct Marks : 2 Wrong Marks : 0

वर्ष 2025 तक विकासशील देशों में वृद्ध व्यक्तियों की संख्या क्या होगी?

1. 0-3 बिलियन
2. 0-6 बिलियन
3. 0-9 बिलियन
4. 1-0 बिलियन

Options :

64635071711. 1  
64635071712. 2  
64635071713. 3  
64635071714. 4

Question Number : 55 Question Id : 64635018265 Question Type : MCQ Option Shuffling : No Display Question Number : Yes  
Single Line Question Option : No Option Orientation : Vertical  
Correct Marks : 2 Wrong Marks : 0

निम्नलिखित में से किस क्षेत्र में विधवाओं की संख्या सबसे कम है?

1. उत्तरी अमेरिका
2. मध्य एशिया
3. पूर्वी एशिया
4. लैटिन अमेरिका

Options :

64635071715. 1  
64635071716. 2  
64635071717. 3  
64635071718. 4

Sub-Section Number: 2  
Sub-Section Id: 646350892  
Question Shuffling Allowed : Yes

Question Number : 56 Question Id : 64635018266 Question Type : MCQ Option Shuffling : No Display Question Number : Yes  
Single Line Question Option : No Option Orientation : Vertical  
Correct Marks : 2 Wrong Marks : 0



Match the methods of appraisal and adjustment of demographic data given in List-I with the Authors/Agency, which developed the method given in List-II :

## List-I

## List-II

- |                                    |                       |
|------------------------------------|-----------------------|
| (a) Preference of numerical digits | (i) UN Index          |
| (b) Heaping at age 0 and 5         | (ii) Myers' Index     |
| (c) Sex bias in age reporting      | (iii) Whipple's Index |
| (d) Smoothing of single year age   | (iv) Zelnik's method  |

Choose the correct answer from the codes given below :

- (a)-(ii); (b)-(iii); (c)-(i); (d)-(iv)
- (a)-(iv); (b)-(ii); (c)-(iii); (d)-(i)
- (a)-(iii); (b)-(ii); (c)-(i); (d)-(iv)
- (a)-(iii); (b)-(iv); (c)-(i); (d)-(ii)

Options :

64635071719. 1  
64635071720. 2  
64635071721. 3  
64635071722. 4

Question Number : 56 Question Id : 64635018266 Question Type : MCQ Option Shuffling : No Display Question Number : Yes  
Single Line Question Option : No Option Orientation : Vertical  
Correct Marks : 2 Wrong Marks : 0



सूची-I में उल्लिखित जनांकिकीय आंकड़ों के मूल्यांकन और समायोजन की पद्धति को सूची-II में उल्लिखित प्रतिपादक/एजेंसी से सुमेलित कीजिए

सूची-I	सूची-II
(a) सांख्यिकीय आँकड़ों की अधिमान्यता	(i) सं. रा. सूचकांक
(b) आयु 0 और 5 का सामूहीकरण	(ii) मेयर सूचकांक
(c) प्रतिवेदनाधीन आयु में लैंगिक पक्षपात	(iii) हिपलर सूचकांक
(d) एकल वर्ष आयु को सरल (स्मूदिंग) बनाया जाना	(iv) जेलनिक विधि

नीचे दिए गए कूट से सही उत्तर चुनिए :

- (a)-(ii); (b)-(iii); (c)-(i); (d)-(iv)
- (a)-(iv); (b)-(ii); (c)-(iii); (d)-(i)
- (a)-(iii); (b)-(ii); (c)-(i); (d)-(iv)
- (a)-(iii); (b)-(iv); (c)-(i); (d)-(ii)

Options :

64635071719. 1
64635071720. 2
64635071721. 3
64635071722. 4

Question Number : 57 Question Id : 64635018267 Question Type : MCQ Option Shuffling : No Display Question Number : Yes  
Single Line Question Option : No Option Orientation : Vertical

Correct Marks : 2 Wrong Marks : 0

In which of the following years DLHS-3 was carried out?

- 2005-2006
- 2006-2007
- 2007-2008
- 2008-2009

Options :

64635071723. 1
64635071724. 2
64635071725. 3
64635071726. 4

Question Number : 57 Question Id : 64635018267 Question Type : MCQ Option Shuffling : No Display Question Number : Yes  
Single Line Question Option : No Option Orientation : Vertical

Correct Marks : 2 Wrong Marks : 0



निम्नलिखित में से किस वर्ष DLHS-3 सर्वे किया गया था?

1. 2005–2006
2. 2006–2007
3. 2007–2008
4. 2008–2009

Options :

64635071723. 1  
64635071724. 2  
64635071725. 3  
64635071726. 4

Question Number : 58 Question Id : 64635018268 Question Type : MCQ Option Shuffling : No Display Question Number : Yes  
Single Line Question Option : No Option Orientation : Vertical

Correct Marks : 2 Wrong Marks : 0

Ideally, the denominator for computation of crude birth rate should be person-years lived in the year but we use average population of the year. Which one of the following is the correct reason?

1. Person-years lived = Average population
2. It is easy to calculate 'average population'
3. Data for computation of 'person-years lived' is not available
4. Statement made in the question is not correct

Options :

64635071727. 1  
64635071728. 2  
64635071729. 3  
64635071730. 4

Question Number : 58 Question Id : 64635018268 Question Type : MCQ Option Shuffling : No Display Question Number : Yes  
Single Line Question Option : No Option Orientation : Vertical

Correct Marks : 2 Wrong Marks : 0

आदर्श स्थिति के अनुसार अशोधित जन्म दर की गणना का अवधारक व्यक्ति की आयु वर्ष के आधार पर होनी चाहिए किन्तु इस वर्ष विशेष की औसत जनसंख्या का प्रयोग करते हैं। इसका सही कारण निम्नलिखित में से क्या है?

1. जीवित 'व्यक्ति-वर्ष' = औसत जनसंख्या
2. 'औसत जनसंख्या' का परिकलन करना आसान है
3. व्यक्ति-वर्ष का परिकलन-आंकड़ा उपलब्ध नहीं है
4. प्रश्न में उल्लिखित कथन सही नहीं है

Options :

64635071727. 1  
64635071728. 2



64635071729. 3

64635071730. 4

Question Number : 59 Question Id : 64635018269 Question Type : MCQ Option Shuffling : No Display Question Number : Yes  
Single Line Question Option : No Option Orientation : Vertical

Correct Marks : 2 Wrong Marks : 0

Which among the following options lists four fertility indicators—(a) Total Marital Fertility Rate (TMFR), (b) General Fertility Rate (GFR), (c) Crude Birth Rate (CBR), and (d) Total Fertility Rate (TFR) according to their robustness in measuring fertility (most sensitive to least sensitive)?

1. TMFR, TFR, GFR, CBR
2. TFR, TMFR, GFR, CBR
3. GFR, TMFR, TFR, CBR
4. TFR, GFR, TMFR, CBR

Options :

64635071731. 1

64635071732. 2

64635071733. 3

64635071734. 4

Question Number : 59 Question Id : 64635018269 Question Type : MCQ Option Shuffling : No Display Question Number : Yes  
Single Line Question Option : No Option Orientation : Vertical

Correct Marks : 2 Wrong Marks : 0

निम्नलिखित में से कौन-सा विकल्प प्रजननता संबंधी चार सूचकांकों (a) कुल वैवाहिक प्रजनन दर (टी. एम. एफ. आर), (b) सामान्य प्रजनन दर (जी. एफ. आर) (c) अशोधित जन्म दर (सी. बी. आर.) और (d) कुल प्रजनन दर (टी. एफ. आर) को प्रजननता के मापन में उनकी सटीकता का सही क्रम (अधिकतम संवेदनशील से न्यूनतम संवेदनशील की ओर) दर्शाता है?

1. टी. एम. एफ. आर, टी. एफ. आर, जी. एफ. आर, सी. बी. आर
2. टी. एफ. आर, टी. एम. एफ. आर, जी. एफ. आर, सी. बी. आर
3. जी. एफ. आर, टी. एम. एफ. आर, टी. एफ. आर, सी. बी. आर
4. टी. एफ. आर, जी. एफ. आर, टी. एम. एफ. आर, सी. बी. आर

Options :

64635071731. 1

64635071732. 2

64635071733. 3

64635071734. 4

Question Number : 60 Question Id : 64635018270 Question Type : MCQ Option Shuffling : No Display Question Number : Yes  
Single Line Question Option : No Option Orientation : Vertical

Correct Marks : 2 Wrong Marks : 0



Societal differences are least prominent in

1. Sex ratio at birth
2. Miscarriages and foetal losses
3. Sex differentials in young childhood
4. Sex differentials in adult age groups

Options :

- 64635071735. 1
- 64635071736. 2
- 64635071737. 3
- 64635071738. 4

Question Number : 60 Question Id : 64635018270 Question Type : MCQ Option Shuffling : No Display Question Number : Yes  
Single Line Question Option : No Option Orientation : Vertical

Correct Marks : 2 Wrong Marks : 0

निम्नलिखित में से किसमें सामाजिक भेदभाव सबसे कम पाया जाता है?

1. जन्म के समय लिंगानुपात
2. गर्भपात और भ्रूण-हानि
3. बाल्यावस्था में लैंगिक भेदभाव
4. वयस्क आयु वर्गों में लैंगिक भेदभाव

Options :

- 64635071735. 1
- 64635071736. 2
- 64635071737. 3
- 64635071738. 4

Question Number : 61 Question Id : 64635018271 Question Type : MCQ Option Shuffling : No Display Question Number : Yes  
Single Line Question Option : No Option Orientation : Vertical

Correct Marks : 2 Wrong Marks : 0

What is the most recent period for which data on 'Maternal Mortality Ratio' is available?

1. 2010–2012
2. 2012–2014
3. 2014–2016
4. 2016–2018

Options :

- 64635071739. 1



64635071740. 2

64635071741. 3

64635071742. 4

Question Number : 61 Question Id : 64635018271 Question Type : MCQ Option Shuffling : No Display Question Number : Yes  
Single Line Question Option : No Option Orientation : Vertical

Correct Marks : 2 Wrong Marks : 0

'मातृ मृत्यु अनुपात' के नवीनतम आँकड़े किस हालिया वर्ष के उपलब्ध हैं?

1. 2010–2012

2. 2012–2014

3. 2014–2016

4. 2016–2018

Options :

64635071739. 1

64635071740. 2

64635071741. 3

64635071742. 4

Question Number : 62 Question Id : 64635018272 Question Type : MCQ Option Shuffling : No Display Question Number : Yes  
Single Line Question Option : No Option Orientation : Vertical

Correct Marks : 2 Wrong Marks : 0

Match the countries shown in List-I with their ranking in terms of their population density (2018) shown in List-II :

List-I	List-II
(a) Bangladesh	(i) 1
(b) China	(ii) 2
(c) Hong Kong	(iii) 3
(d) India	(iv) 4
(e) Singapore	(v) 5

Choose the correct answer from the codes given below :

1. (a)–(ii); (b)–(iv); (c)–(i); (d)–(v); (e)–(iii)

2. (a)–(iii); (b)–(v); (c)–(ii); (d)–(i); (e)–(iv)

3. (a)–(v); (b)–(iii); (c)–(i); (d)–(iv); (e)–(ii)

4. (a)–(i); (b)–(ii); (c)–(iv); (d)–(v); (e)–(iii)

Options :

64635071743. 1

64635071744. 2



64635071745. 3

64635071746. 4

Question Number : 62 Question Id : 64635018272 Question Type : MCQ Option Shuffling : No Display Question Number : Yes  
Single Line Question Option : No Option Orientation : Vertical

Correct Marks : 2 Wrong Marks : 0

सूची-I में दर्शाए गए देशों को सूची-II में उल्लिखित उनके जनसंख्या घनत्व (2018) की रैंकिंग से सुमेलित कीजिए :

सूची-I	सूची-II
(a) बंगलादेश	(i) 1
(b) चीन	(ii) 2
(c) हांगकांग	(iii) 3
(d) भारत	(iv) 4
(e) सिंगापुर	(v) 5

नीचे दिए गए कूट में से सही उत्तर चुनिए :

- (a)-(ii); (b)-(iv); (c)-(i); (d)-(v); (e)-(iii)
- (a)-(iii); (b)-(v); (c)-(ii); (d)-(i); (e)-(iv)
- (a)-(v); (b)-(iii); (c)-(i); (d)-(iv); (e)-(ii)
- (a)-(i); (b)-(ii); (c)-(iv); (d)-(v); (e)-(iii)

Options :

64635071743. 1

64635071744. 2

64635071745. 3

64635071746. 4

Question Number : 63 Question Id : 64635018273 Question Type : MCQ Option Shuffling : No Display Question Number : Yes  
Single Line Question Option : No Option Orientation : Vertical

Correct Marks : 2 Wrong Marks : 0

Which of the following is correct 'India's percentage of the World's Geographical Area' as per the UN Publication, 2018?

- < 1.5%
- 1.5%-2.5%
- 2.5%-3.5%
- > 3.5%

Options :

64635071747. 1

64635071748. 2

64635071749. 3



64635071750. 4

Question Number : 63 Question Id : 64635018273 Question Type : MCQ Option Shuffling : No Display Question Number : Yes  
Single Line Question Option : No Option Orientation : Vertical

Correct Marks : 2 Wrong Marks : 0

संयुक्त राष्ट्र के 2018 के प्रकाशन के अनुसार निम्न में कौन सा 'भारत के भौगोलिक क्षेत्र का प्रतिशत विश्व के कुल भौगोलिक क्षेत्र' के संदर्भ में सही है?

1. 1.5% से कम
2. 1.5% से 2.5%
3. 2.5% से 3.5%
4. 3.5% से अधिक

Options :

64635071747. 1

64635071748. 2

64635071749. 3

64635071750. 4

Question Number : 64 Question Id : 64635018274 Question Type : MCQ Option Shuffling : No Display Question Number : Yes  
Single Line Question Option : No Option Orientation : Vertical

Correct Marks : 2 Wrong Marks : 0

Match the World/International important days shown in List-I with their dates of celebration shown in List-II :

List-I

List-II

- |                                  |               |
|----------------------------------|---------------|
| (a) National Safe Motherhood Day | (i) April 7   |
| (b) World Population Day         | (ii) April 11 |
| (c) World Health Day             | (iii) June 5  |
| (d) World Environment Day        | (iv) July 11  |

Choose the correct answer from the codes given below :

1. (a)-(iv); (b)-(iii); (c)-(ii); (d)-(i)
2. (a)-(iii); (b)-(i); (c)-(iv); (d)-(ii)
3. (a)-(i); (b)-(iv); (c)-(ii); (d)-(iii)
4. (a)-(iv); (b)-(i); (c)-(iii); (d)-(ii)

Options :

64635071751. 1

64635071752. 2

64635071753. 3

64635071754. 4



Question Number : 64 Question Id : 64635018274 Question Type : MCQ Option Shuffling : No Display Question Number : Yes  
Single Line Question Option : No Option Orientation : Vertical

Correct Marks : 2 Wrong Marks : 0

सूची-I में दर्शाए गए विश्व/अन्तर्राष्ट्रीय महत्त्वपूर्ण दिवस को सूची-II में उल्लिखित उनके मनाए जाने की तारीख से सुमेलित कीजिए :

सूची-I	सूची-II
(a) राष्ट्रीय सुरक्षित मातृ दिवस	(i) 7 अप्रैल
(b) विश्व जनसंख्या दिवस	(ii) 11 अप्रैल
(c) विश्व स्वास्थ्य दिवस	(iii) 5 जून
(d) विश्व पर्यावरण दिवस	(iv) 11 जुलाई

नीचे दिए गए कूट में से सही उत्तर चुनिए :

- (a)-(iv); (b)-(iii); (c)-(ii); (d)-(i)
- (a)-(iii); (b)-(i); (c)-(iv); (d)-(ii)
- (a)-(i); (b)-(iv); (c)-(ii); (d)-(iii)
- (a)-(iv); (b)-(i); (c)-(iii); (d)-(ii)

Options :

64635071751. 1  
64635071752. 2  
64635071753. 3  
64635071754. 4

Question Number : 65 Question Id : 64635018275 Question Type : MCQ Option Shuffling : No Display Question Number : Yes  
Single Line Question Option : No Option Orientation : Vertical

Correct Marks : 2 Wrong Marks : 0

Which one of the following is correct as highest annual exponential growth rate for India's population?

- 2.20
- 2.21
- 2.22
- 2.23

Options :

64635071755. 1  
64635071756. 2  
64635071757. 3  
64635071758. 4



Question Number : 65 Question Id : 64635018275 Question Type : MCQ Option Shuffling : No Display Question Number : Yes  
Single Line Question Option : No Option Orientation : Vertical

Correct Marks : 2 Wrong Marks : 0

भारत की जनसंख्या के संदर्भ में सर्वाधिक वार्षिक घातांक वृद्धि दर है?

1. 2-20
2. 2-21
3. 2-22
4. 2-23

Options :

64635071755. 1

64635071756. 2

64635071757. 3

64635071758. 4

Question Number : 66 Question Id : 64635018276 Question Type : MCQ Option Shuffling : No Display Question Number : Yes  
Single Line Question Option : No Option Orientation : Vertical

Correct Marks : 2 Wrong Marks : 0

Which one of the following states of India has the second largest population size according to 2011 Census?

1. Bihar
2. Maharashtra
3. Tamil Nadu
4. West Bengal

Options :

64635071759. 1

64635071760. 2

64635071761. 3

64635071762. 4

Question Number : 66 Question Id : 64635018276 Question Type : MCQ Option Shuffling : No Display Question Number : Yes  
Single Line Question Option : No Option Orientation : Vertical

Correct Marks : 2 Wrong Marks : 0

वर्ष 2011 की भारत की जनगणना के अनुसार निम्नलिखित में से किस राज्य में दूसरी सबसे बड़ी आबादी है?

1. बिहार
2. महाराष्ट्र
3. तमिलनाडु
4. पश्चिम बंगाल

Options :



64635071759. 1

64635071760. 2

64635071761. 3

64635071762. 4

Question Number : 67 Question Id : 64635018277 Question Type : MCQ Option Shuffling : No Display Question Number : Yes  
Single Line Question Option : No Option Orientation : Vertical

Correct Marks : 2 Wrong Marks : 0

Assuming  $P_1$  and  $P_2$  as population size at the beginning and end of the year 2000, the denominator to measure crude death rate should be

1.  $P_1$
2.  $\frac{P_1 + P_2}{2}$
3. mid-year population of the year 2000
4. person-years lived in the year 2000

Options :

64635071763. 1

64635071764. 2

64635071765. 3

64635071766. 4

Question Number : 67 Question Id : 64635018277 Question Type : MCQ Option Shuffling : No Display Question Number : Yes  
Single Line Question Option : No Option Orientation : Vertical

Correct Marks : 2 Wrong Marks : 0

मान लीजिए वर्ष 2000 के आरंभ और अंत में जनसंख्या का आकार  $P_1$  और  $P_2$  है, अशोधित मृत्यु दर मापने का निर्धारक होना चाहिए

1.  $P_1$
2.  $\frac{P_1 + P_2}{2}$
3. वर्ष 2000 का मध्य वार्षिक निर्धारण
4. वर्ष 2000 में व्यक्ति के जीवित रहने की अवधि

Options :

64635071763. 1

64635071764. 2

64635071765. 3

64635071766. 4

Question Number : 68 Question Id : 64635018278 Question Type : MCQ Option Shuffling : No Display Question Number : Yes  
Single Line Question Option : No Option Orientation : Vertical

Correct Marks : 2 Wrong Marks : 0



Which one among the following is NOT an essential feature of a modern census?

1. Coverage of total area/territory
2. Coverage of all residents
3. Common reference point
4. Coverage of all births

Options :

64635071767. 1

64635071768. 2

64635071769. 3

64635071770. 4

Question Number : 68 Question Id : 64635018278 Question Type : MCQ Option Shuffling : No Display Question Number : Yes  
 Single Line Question Option : No Option Orientation : Vertical

Correct Marks : 2 Wrong Marks : 0

निम्नलिखित में से क्या आधुनिक जनगणना की मुख्य विशेषता नहीं है?

1. कुल क्षेत्र/भू-भाग को शामिल किया जाना
2. सभी निवासियों को शामिल किया जाना
3. सामान्य संदर्भ समय
4. सभी जन्म को शामिल किया जाना

Options :

64635071767. 1

64635071768. 2

64635071769. 3

64635071770. 4

Question Number : 69 Question Id : 64635018279 Question Type : MCQ Option Shuffling : No Display Question Number : Yes  
 Single Line Question Option : No Option Orientation : Vertical

Correct Marks : 2 Wrong Marks : 0

Which one is the lowest population size class identified for the rural settlements by the Census of India, 2011?

1. Less than 100
2. Less than 200
3. Less than 400
4. Less than 500

Options :

64635071771. 1

64635071772. 2

64635071773. 3

64635071774. 4



Question Number : 69 Question Id : 64635018279 Question Type : MCQ Option Shuffling : No Display Question Number : Yes  
Single Line Question Option : No Option Orientation : Vertical

Correct Marks : 2 Wrong Marks : 0

भारत की जनगणना, 2011 में ग्रामीण बस्तियों के लिए कितनी जनसंख्या को न्यूनतम जनसंख्या माना गया?

1. 100 से कम
2. 200 से कम
3. 400 से कम
4. 500 से कम

Options :

64635071771. 1

64635071772. 2

64635071773. 3

64635071774. 4

Question Number : 70 Question Id : 64635018280 Question Type : MCQ Option Shuffling : No Display Question Number : Yes  
Single Line Question Option : No Option Orientation : Vertical

Correct Marks : 2 Wrong Marks : 0

Which among the following is NOT a condition to get the demographic dividend?

1. Higher proportion of working age population
2. Creation of skilled labour force
3. Increased job opportunities
4. Increased proportion of child population

Options :

64635071775. 1

64635071776. 2

64635071777. 3

64635071778. 4

Question Number : 70 Question Id : 64635018280 Question Type : MCQ Option Shuffling : No Display Question Number : Yes  
Single Line Question Option : No Option Orientation : Vertical

Correct Marks : 2 Wrong Marks : 0

जनांकिकीय-लाभांश प्राप्त करने के लिए निम्नलिखित में से क्या महत्वपूर्ण शर्त नहीं है।

1. कार्यशील आयु वाले लोगों की संख्या अधिक होना
2. कुशल श्रमिकों का सृजन
3. रोजगार के अवसर में बढ़ोतरी
4. बालकों की जनसंख्या का बढ़ा हुआ अनुपात

Options :

64635071775. 1

64635071776. 2

64635071777. 3

64635071778. 4



Question Number : 71 Question Id : 64635018281 Question Type : MCQ Option Shuffling : No Display Question Number : Yes  
Single Line Question Option : No Option Orientation : Vertical

Correct Marks : 2 Wrong Marks : 0

Which among the following is expressed correctly with respect to the child dependency ratio (CDR), old age dependency ratio (ODR) and total dependency ratio (TDR)?

1. High CDR + Low ODR = High TDR
2. High CDR + High ODR = High TDR
3. Low CDR + High ODR = Low TDR
4. High CDR + Low ODR = Low TDR

Options :

64635071779. 1  
64635071780. 2  
64635071781. 3  
64635071782. 4

Question Number : 71 Question Id : 64635018281 Question Type : MCQ Option Shuffling : No Display Question Number : Yes  
Single Line Question Option : No Option Orientation : Vertical

Correct Marks : 2 Wrong Marks : 0

बाल निर्भरता अनुपात (सी. डी. आर.), वृद्धावस्था निर्भरता अनुपात (ओ. डी. आर.) और कुल निर्भरता अनुपात (टी. डी. आर.) के संबंध में निम्नलिखित में से कौन-सा सही रूप से अभिव्यक्त है?

1. उच्च सी. डी. आर. + निम्न ओ. डी. आर. = उच्च टी. डी. आर.
2. उच्च सी. डी. आर. + उच्च ओ. डी. आर. = उच्च टी. डी. आर.
3. निम्न सी. डी. आर. + उच्च ओ. डी. आर. = निम्न टी. डी. आर.
4. उच्च सी. डी. आर. + निम्न ओ. डी. आर. = निम्न टी. डी. आर.

Options :

64635071779. 1  
64635071780. 2  
64635071781. 3  
64635071782. 4

Question Number : 72 Question Id : 64635018282 Question Type : MCQ Option Shuffling : No Display Question Number : Yes  
Single Line Question Option : No Option Orientation : Vertical

Correct Marks : 2 Wrong Marks : 0

In which year India passed 'The Rights of Persons with Disabilities Bill'?

1. 2014
2. 2015
3. 2016
4. 2017

Options :

64635071783. 1  
64635071784. 2  
64635071785. 3



64635071786. 4

Question Number : 72 Question Id : 64635018282 Question Type : MCQ Option Shuffling : No Display Question Number : Yes  
Single Line Question Option : No Option Orientation : Vertical

Correct Marks : 2 Wrong Marks : 0

भारत में किस वर्ष 'निःशक्त व्यक्तियों का अधिकार विधेयक' पारित किया गया?

1. 2014
2. 2015
3. 2016
4. 2017

Options :

64635071783. 1

64635071784. 2

64635071785. 3

64635071786. 4

Question Number : 73 Question Id : 64635018283 Question Type : MCQ Option Shuffling : No Display Question Number : Yes  
Single Line Question Option : No Option Orientation : Vertical

Correct Marks : 2 Wrong Marks : 0

According to Population Census (2011) of India, which among the following major state has the largest household size?

1. Uttar Pradesh
2. Tamil Nadu
3. West Bengal
4. Kerala

Options :

64635071787. 1

64635071788. 2

64635071789. 3

64635071790. 4

Question Number : 73 Question Id : 64635018283 Question Type : MCQ Option Shuffling : No Display Question Number : Yes  
Single Line Question Option : No Option Orientation : Vertical

Correct Marks : 2 Wrong Marks : 0

भारत की जनगणना (2011) के अनुसार निम्नलिखित में से किस राज्य में गृहस्थी का आकार सर्वाधिक है?

1. उत्तर प्रदेश
2. तमिलनाडु
3. पश्चिम बंगाल
4. केरल



Options :

- 64635071787. 1
- 64635071788. 2
- 64635071789. 3
- 64635071790. 4

Question Number : 74 Question Id : 64635018284 Question Type : MCQ Option Shuffling : No Display Question Number : Yes  
Single Line Question Option : No Option Orientation : Vertical

Correct Marks : 2 Wrong Marks : 0

According to Population Census of India, which of the following states has recorded the largest share of widow population?

- 1. Assam
- 2. Kerala
- 3. Gujarat
- 4. Odisha

Options :

- 64635071791. 1
- 64635071792. 2
- 64635071793. 3
- 64635071794. 4

Question Number : 74 Question Id : 64635018284 Question Type : MCQ Option Shuffling : No Display Question Number : Yes  
Single Line Question Option : No Option Orientation : Vertical

Correct Marks : 2 Wrong Marks : 0

भारत की जनगणना के अनुसार, निम्नलिखित में से किस राज्य में विधवाओं की संख्या सर्वाधिक रिकॉर्ड की गई है?

- 1. असम
- 2. केरल
- 3. गुजरात
- 4. ओड़िशा

Options :

- 64635071791. 1
- 64635071792. 2
- 64635071793. 3
- 64635071794. 4

Question Number : 75 Question Id : 64635018285 Question Type : MCQ Option Shuffling : No Display Question Number : Yes  
Single Line Question Option : No Option Orientation : Vertical

Correct Marks : 2 Wrong Marks : 0



According to Medical Certification of Causes of Death (MCCD) Report, 2015 which of the following diseases has caused highest proportion of deaths?

1. Diseases of circulatory system
2. Diseases of digestive system
3. Diseases of respiratory system
4. Neoplasm

Options :

64635071795. 1  
64635071796. 2  
64635071797. 3  
64635071798. 4

Question Number : 75 Question Id : 64635018285 Question Type : MCQ Option Shuffling : No Display Question Number : Yes  
Single Line Question Option : No Option Orientation : Vertical

Correct Marks : 2 Wrong Marks : 0

मृत्यु कारित कारक संबंधी चिकित्सा प्रमाण-पत्र (एम. सी. सी. डी.) प्रतिवेदन, 2015 के अनुसार, निम्नलिखित में से किस रोग के कारण सर्वाधिक मृत्यु हुई है?

1. रक्त परिचालन तंत्र संबंधी रोग
2. पाचन तंत्र से संबंधित रोग
3. श्वसन तंत्र से संबंधित रोग
4. ऊतक की असामान्य वृद्धि

Options :

64635071795. 1  
64635071796. 2  
64635071797. 3  
64635071798. 4

Question Number : 76 Question Id : 64635018286 Question Type : MCQ Option Shuffling : No Display Question Number : Yes  
Single Line Question Option : No Option Orientation : Vertical

Correct Marks : 2 Wrong Marks : 0

Which among the following is the crux of the 'multiple nuclei model' proposed by C. D. Harris and Edward Ullman?

1. Few cities forming growth nuclei
2. One city with multiple growth points
3. Few small towns considered as growth nuclei
4. Cities and towns together form a growth nuclei

Options :

64635071799. 1



64635071800. 2

64635071801. 3

64635071802. 4

Question Number : 76 Question Id : 64635018286 Question Type : MCQ Option Shuffling : No Display Question Number : Yes  
Single Line Question Option : No Option Orientation : Vertical

Correct Marks : 2 Wrong Marks : 0

सी. डी. हैरिस और एडवार्ड उलमैन द्वारा प्रस्तावित 'बहु-केन्द्रिक मॉडल' का मूलाधार क्या है?

1. बहुत कम शहरों में विकास के केन्द्र बन रहे हैं
2. एक शहर जिसमें बहुत से विकास स्थल हैं
3. बहुत थोड़े से छोटे नगरों को विकास का केन्द्र माना गया है
4. शहर और नगर दोनों से मिलकर विकास के केन्द्र बनते हैं

Options :

64635071799. 1

64635071800. 2

64635071801. 3

64635071802. 4

Question Number : 77 Question Id : 64635018287 Question Type : MCQ Option Shuffling : No Display Question Number : Yes  
Single Line Question Option : No Option Orientation : Vertical

Correct Marks : 2 Wrong Marks : 0

Assertion (A) : Dry regions are generally less populated.

Reason (R) : Water is essential for the growth of the civilization.

Which among the following is a correct code?

1. Both (A) and (R) are correct but (R) is not the correct explanation of (A)
2. Both (A) and (R) are correct and (R) is the correct explanation of (A)
3. (A) is true but (R) is false
4. (A) is false but (R) is true

Options :

64635071803. 1

64635071804. 2

64635071805. 3

64635071806. 4

Question Number : 77 Question Id : 64635018287 Question Type : MCQ Option Shuffling : No Display Question Number : Yes  
Single Line Question Option : No Option Orientation : Vertical

Correct Marks : 2 Wrong Marks : 0



अभिकथन (A) : शुष्क प्रदेश सामान्यतया कम आबादी वाले होते हैं।

तर्क (R) : सभ्यता के विकास के लिए जल आवश्यक है।

निम्नलिखित में से कौन-सा कूट सही है?

1. (A) और (R) दोनों सही हैं किन्तु (R), (A) की सही व्याख्या नहीं है
2. (A) और (R) दोनों सही हैं और (R), (A) की सही व्याख्या है
3. (A) सही है किन्तु (R) गलत है
4. (A) गलत है किन्तु (R) सही है

Options :

64635071803. 1

64635071804. 2

64635071805. 3

64635071806. 4

Question Number : 78 Question Id : 64635018288 Question Type : MCQ Option Shuffling : No Display Question Number : Yes  
Single Line Question Option : No Option Orientation : Vertical

Correct Marks : 2 Wrong Marks : 0

Which among the following is NOT a pessimistic concept in terms of population growth?

1. Population will overshoot the carrying capacity by 2072
2. Population grows faster than food production
3. Agricultural intensification increases food production
4. Population pressure on common property resources will lead to tragedy

Options :

64635071807. 1

64635071808. 2

64635071809. 3

64635071810. 4

Question Number : 78 Question Id : 64635018288 Question Type : MCQ Option Shuffling : No Display Question Number : Yes  
Single Line Question Option : No Option Orientation : Vertical

Correct Marks : 2 Wrong Marks : 0

जनसंख्या वृद्धि के संदर्भ में निम्नलिखित में से कौन-सी अवधारणा निराशावादी नहीं है?

1. वर्ष 2072 तक जनसंख्या का बोझ इसकी वहन क्षमता से अधिक हो जाएगा
2. जनसंख्या की वृद्धि खाद्य उत्पादन की अपेक्षा त्वरित होती है
3. गहन कृषि के फलस्वरूप खाद्य उत्पादन में बढ़ोतरी होती है
4. साझा संपत्ति संसाधनों पर जनसंख्या के दबाव के परिणामस्वरूप त्रासदी उत्पन्न होगी

Options :

64635071807. 1

64635071808. 2



64635071809. 3

64635071810. 4

Question Number : 79 Question Id : 64635018289 Question Type : MCQ Option Shuffling : No Display Question Number : Yes  
Single Line Question Option : No Option Orientation : Vertical

Correct Marks : 2 Wrong Marks : 0

Which among the following population distributions are NOT suitable to apply parametric statistics?

- (a) Positively skewed
- (b) Negatively skewed
- (c) Bimodal
- (d) Normal

Which of the following codes is correct?

- 1. (a), (b) and (c)
- 2. (a), (b) and (d)
- 3. (a), (c) and (d)
- 4. (a) and (b)

Options :

64635071811. 1

64635071812. 2

64635071813. 3

64635071814. 4

Question Number : 79 Question Id : 64635018289 Question Type : MCQ Option Shuffling : No Display Question Number : Yes  
Single Line Question Option : No Option Orientation : Vertical

Correct Marks : 2 Wrong Marks : 0



निम्नलिखित में से कौन-सा/से जनसांख्यिकीय वितरण विचरण सांख्यिकी में प्रयुक्त होने के लिए उपयुक्त नहीं है?

- (a) धनात्मक वक्र
- (b) ऋणात्मक वक्र
- (c) द्विबहुलकीय
- (d) सामान्य

निम्नलिखित में से कौन-सा कूट सही है?

कूट :

- 1. (a), (b) और (c)
- 2. (a), (b) और (d)
- 3. (a), (c) और (d)
- 4. (a) और (b)

Options :

- 64635071811. 1
- 64635071812. 2
- 64635071813. 3
- 64635071814. 4

**Sub-Section Number:** 3  
**Sub-Section Id:** 646350893  
**Question Shuffling Allowed :** Yes

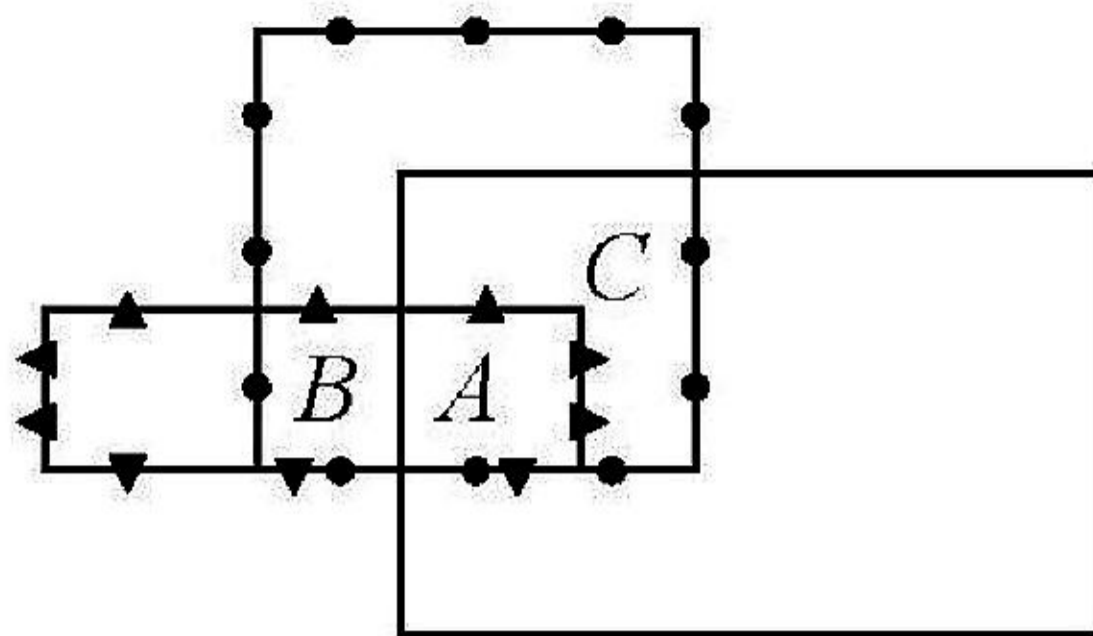
**Question Id :** 64635018290 **Question Type :** COMPREHENSION **Sub Question Shuffling Allowed :** Yes **Group Comprehension Questions :** No

**Question Numbers :** (80 to 82)

**Question Label :** Comprehension

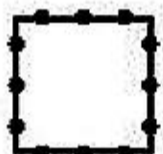




**Direction :** Answer questions on the basis of the following diagram :



Sub questions

Question Number : 80 Question Id : 64635018291 Question Type : MCQ Option Shuffling : No Display Question Number : Yes  
 Single Line Question Option : No Option Orientation : Vertical  
 Correct Marks : 2 Wrong Marks : 0

If  = skilled population;  = married population and

 = doctors, then

which among the following depicts Zone A?

1. Skilled, married and doctor
2. Married and doctor
3. Not skilled doctor
4. Skilled doctor

Options :

64635071815. 1  
 64635071816. 2  
 64635071817. 3  
 64635071818. 4

Question Number : 81 Question Id : 64635018292 Question Type : MCQ Option Shuffling : No Display Question Number : Yes  
 Single Line Question Option : No Option Orientation : Vertical  
 Correct Marks : 2 Wrong Marks : 0



Which among the following depicts Zone C?

1. Skilled and married
2. Married and doctor
3. Doctor but not married
4. Not married and not doctor

Options :

- 64635071819. 1
- 64635071820. 2
- 64635071821. 3
- 64635071822. 4

Question Number : 82 Question Id : 64635018293 Question Type : MCQ Option Shuffling : No Display Question Number : Yes  
Single Line Question Option : No Option Orientation : Vertical

Correct Marks : 2 Wrong Marks : 0

Which among the following depicts Zone B?

1. Married and skilled
2. Skilled doctor
3. Skilled doctor and not married
4. Married doctor

Options :

- 64635071823. 1
- 64635071824. 2
- 64635071825. 3
- 64635071826. 4

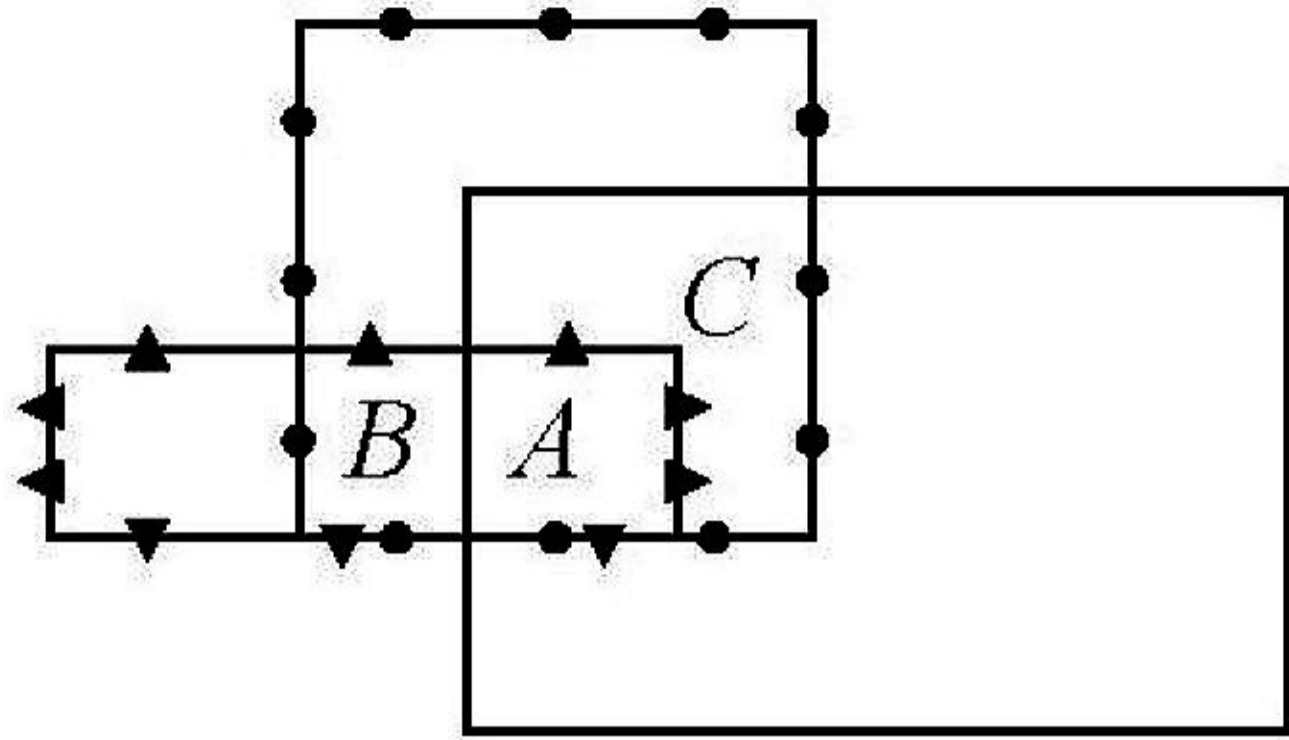
Question Id : 64635018290 Question Type : COMPREHENSION Sub Question Shuffling Allowed : Yes Group Comprehension  
Questions : No

Question Numbers : (80 to 82)

Question Label : Comprehension



**निर्देश :** निम्नलिखित डायग्राम के आधार पर प्रश्न के उत्तर दीजिए :



Sub questions

Question Number : 80 Question Id : 64635018291 Question Type : MCQ Option Shuffling : No Display Question Number : Yes  
Single Line Question Option : No Option Orientation : Vertical

Correct Marks : 2 Wrong Marks : 0

यदि,  = कुशल जनसंख्या,  = विवाहित जनसंख्या और  = चिकित्सक हो तो,

निम्नलिखित में से क्या जोन A को निरूपित करता है?

1. कुशल, विवाहित और चिकित्सक
2. विवाहित और चिकित्सक
3. अकुशल चिकित्सक
4. कुशल चिकित्सक

Options :

64635071815. 1

64635071816. 2

64635071817. 3

64635071818. 4

Question Number : 81 Question Id : 64635018292 Question Type : MCQ Option Shuffling : No Display Question Number : Yes  
Single Line Question Option : No Option Orientation : Vertical

Correct Marks : 2 Wrong Marks : 0



निम्नलिखित में से किससे जोन  $C$  निरूपित होता है?

1. कुशल और विवाहित
2. विवाहित और चिकित्सक
3. चिकित्सक किन्तु अविवाहित
4. न तो विवाहित ना ही चिकित्सक

**Options :**

64635071819. 1

64635071820. 2

64635071821. 3

64635071822. 4

**Question Number : 82 Question Id : 64635018293 Question Type : MCQ Option Shuffling : No Display Question Number : Yes**  
**Single Line Question Option : No Option Orientation : Vertical**

**Correct Marks : 2 Wrong Marks : 0**

निम्नलिखित में से किससे जोन  $B$  का निरूपण होता है?

1. विवाहित और कुशल
2. कुशल चिकित्सक
3. कुशल चिकित्सक और अविवाहित
4. विवाहित चिकित्सक

**Options :**

64635071823. 1

64635071824. 2

64635071825. 3

64635071826. 4

<b>Sub-Section Number:</b>	4
<b>Sub-Section Id:</b>	646350894
<b>Question Shuffling Allowed :</b>	Yes

**Question Number : 83 Question Id : 64635018294 Question Type : MCQ Option Shuffling : No Display Question Number : Yes**  
**Single Line Question Option : No Option Orientation : Vertical**

**Correct Marks : 2 Wrong Marks : 0**



Which one of the following is NOT stated correctly?

1. Coale and Hoover talked about population growth and economic development
2. Ester Boserup talked about agricultural intensification
3. Paul Ehrlich talked about population explosion
4. Robert Malthus talked about technological improvement

Options :

64635071827. 1

64635071828. 2

64635071829. 3

64635071830. 4

Question Number : 83 Question Id : 64635018294 Question Type : MCQ Option Shuffling : No Display Question Number : Yes  
Single Line Question Option : No Option Orientation : Vertical

Correct Marks : 2 Wrong Marks : 0

निम्नलिखित में से कौन-सा कथन गलत है?

1. कोले और हूवर ने जनसंख्या वृद्धि और आर्थिक विकास की बात की थी
2. इस्टर बोसेरप ने गहन कृषि की बात की थी
3. पॉल एरलिच ने जनसंख्या विस्फोट की बात की थी
4. रॉबर्ट माल्थस ने प्रौद्योगिकीय विकास के बारे में बात की थी

Options :

64635071827. 1

64635071828. 2

64635071829. 3

64635071830. 4

Question Number : 84 Question Id : 64635018295 Question Type : MCQ Option Shuffling : No Display Question Number : Yes  
Single Line Question Option : No Option Orientation : Vertical

Correct Marks : 2 Wrong Marks : 0

Which one of the following methods is used to remove the effect of age structure on crude death rate?

1. Adjusted children age structure
2. Adjusted older age structure
3. Standardization
4. Adjustment of sex ratio

Options :

64635071831. 1

64635071832. 2

64635071833. 3

64635071834. 4

Question Number : 84 Question Id : 64635018295 Question Type : MCQ Option Shuffling : No Display Question Number : Yes  
Single Line Question Option : No Option Orientation : Vertical

Correct Marks : 2 Wrong Marks : 0

निम्नलिखित में से कौन-सी प्रणाली अशोधित मृत्यु दर पर आयु संरचना के प्रभाव को हटाने के लिए प्रयोग की जाती है?

1. समायोजित बाल आयु संरचना
2. समायोजित वृद्धावस्था संरचना
3. मानकीकरण
4. लिंगानुपात का समायोजन

Options :

64635071831. 1

64635071832. 2

64635071833. 3

64635071834. 4

Question Number : 85 Question Id : 64635018296 Question Type : MCQ Option Shuffling : No Display Question Number : Yes  
Single Line Question Option : No Option Orientation : Vertical

Correct Marks : 2 Wrong Marks : 0

Which formula is correct for converting  ${}_nM_x$  (proportion of death) to  ${}_nq_x$  (probability of death)?

1.  $\frac{2n {}_nM_x}{2 + n {}_nM_x}$
2.  $\frac{{}_nM_x}{2}$
3.  $\frac{2n {}_nM_x}{2n}$
4.  $\frac{{}_nM_x}{2xn \cdot {}_nM_x}$

Options :

64635071835. 1

64635071836. 2

64635071837. 3

64635071838. 4

Question Number : 85 Question Id : 64635018296 Question Type : MCQ Option Shuffling : No Display Question Number : Yes  
Single Line Question Option : No Option Orientation : Vertical

Correct Marks : 2 Wrong Marks : 0



कौन-सा फॉर्मूला  ${}_nM_x$  (मृत्यु अनुपात) को  ${}_nq_x$  (मृत्यु प्रसंभाव्यता) में रूपांतरिक करने के लिए सही है?

1.  $\frac{2n {}_nM_x}{2 + n {}_nM_x}$

2.  $\frac{{}_nM_x}{2}$

3.  $\frac{2n {}_nM_x}{2n}$

4.  $\frac{{}_nM_x}{2xn \cdot {}_nM_x}$

Options :

64635071835. 1

64635071836. 2

64635071837. 3

64635071838. 4

Question Number : 86 Question Id : 64635018297 Question Type : MCQ Option Shuffling : No Display Question Number : Yes  
Single Line Question Option : No Option Orientation : Vertical

Correct Marks : 2 Wrong Marks : 0

The first UN model life table was based on how many national life tables?

1. 150

2. 158

3. 160

4. 168

Options :

64635071839. 1

64635071840. 2

64635071841. 3

64635071842. 4

Question Number : 86 Question Id : 64635018297 Question Type : MCQ Option Shuffling : No Display Question Number : Yes  
Single Line Question Option : No Option Orientation : Vertical

Correct Marks : 2 Wrong Marks : 0

प्रथम यू. एन. प्रतिरूप जीवन तालिका कितनी राष्ट्रीय जीवन तालिकाओं पर आधारित थी?

1. 150

2. 158

3. 160

4. 168

Options :

64635071839. 1

64635071840. 2

64635071841. 3

64635071842. 4

Question Number : 87 Question Id : 64635018298 Question Type : MCQ Option Shuffling : No Display Question Number : Yes  
Single Line Question Option : No Option Orientation : Vertical

Correct Marks : 2 Wrong Marks : 0

Crude Death Rate (CDR) does not always reflect the real level of mortality because it is affected by :

1. infant mortality (< 1 year)
2. under-five mortality (0–4 years)
3. maternal reproductive age (15–49 years)
4. age structure of population

Options :

64635071843. 1

64635071844. 2

64635071845. 3

64635071846. 4

Question Number : 87 Question Id : 64635018298 Question Type : MCQ Option Shuffling : No Display Question Number : Yes  
Single Line Question Option : No Option Orientation : Vertical

Correct Marks : 2 Wrong Marks : 0

अशोधित मृत्यु दर (CDR) सदैव मृत्यु दर के असल स्तर को नहीं दर्शाती क्योंकि यह प्रभावित होती है :

1. शिशु मृत्यु दर (< एक वर्ष)
2. पांच से नीचे मृत्यु दर (0-4 आयु वाले)
3. मातृ पुनर् उत्पादकता आयु (15-49 आयु वाली)
4. जनसंख्या की आयु संरचना

Options :

64635071843. 1

64635071844. 2

64635071845. 3

64635071846. 4

Question Number : 88 Question Id : 64635018299 Question Type : MCQ Option Shuffling : No Display Question Number : Yes  
Single Line Question Option : No Option Orientation : Vertical

Correct Marks : 2 Wrong Marks : 0



Which one of the following statements is NOT correct?

1. Process and output indicators are used for monitoring of programme
2. Monitoring indicators are available in programme records and reports
3. Outcome and impact indicators are used for programme evaluation
4. Outcome and impact indicators can be calculated from monitoring records

Options :

64635071847. 1  
 64635071848. 2  
 64635071849. 3  
 64635071850. 4

Question Number : 88 Question Id : 64635018299 Question Type : MCQ Option Shuffling : No Display Question Number : Yes  
 Single Line Question Option : No Option Orientation : Vertical

Correct Marks : 2 Wrong Marks : 0

निम्नलिखित में से कौन-सा कथन सही नहीं है?

1. प्रक्रिया (प्रोसेस) और परिणाम (आउटपुट) संकेतकों का उपयोग कार्यक्रम की निगरानी के लिए किया जाता है
2. निगरानी संकेतक कार्यक्रम के रिकॉर्ड और रिपोर्टों में उपलब्ध होते हैं
3. कार्यक्रम मूल्यांकन के लिए परिणाम (आउटपुट) और प्रभाव (इम्पैक्ट) संकेतकों का उपयोग किया जाता है
4. नतीजा (आउटकम) और प्रभाव (इम्पैक्ट) संकेतकों की गणना निगरानी (मॉनीटरिंग) रिकॉर्डों से की जा सकती है

Options :

64635071847. 1  
 64635071848. 2  
 64635071849. 3  
 64635071850. 4

Question Number : 89 Question Id : 64635018300 Question Type : MCQ Option Shuffling : No Display Question Number : Yes  
 Single Line Question Option : No Option Orientation : Vertical

Correct Marks : 2 Wrong Marks : 0

In a life table,  $T_x$  represents total number of years lived beyond age  $x$  and is symbolically written as :

1.  $T_x = T_{x+1} + L_x$
2.  $T_x = L_{x+1} + L_x$
3.  $T_x = T_{x-1} + L_x$
4.  $T_x = L_{x-1} + L_x$

Options :

64635071851. 1  
64635071852. 2  
64635071853. 3  
64635071854. 4

Question Number : 89 Question Id : 64635018300 Question Type : MCQ Option Shuffling : No Display Question Number : Yes  
Single Line Question Option : No Option Orientation : Vertical

Correct Marks : 2 Wrong Marks : 0

एक जीवन तालिका में,  $T_x$  आयु  $x$  के पार व्यक्त किए गए वर्षों की कुल संख्या को दर्शाता है, और किस प्रतीकात्मक रूप में लिखा जाता है?

1.  $T_x = T_{x+1} + L_x$
2.  $T_x = L_{x+1} + L_x$
3.  $T_x = T_{x-1} + L_x$
4.  $T_x = L_{x-1} + L_x$

Options :

64635071851. 1  
64635071852. 2  
64635071853. 3  
64635071854. 4

Question Number : 90 Question Id : 64635018301 Question Type : MCQ Option Shuffling : No Display Question Number : Yes  
Single Line Question Option : No Option Orientation : Vertical

Correct Marks : 2 Wrong Marks : 0

Life expectancy is usually a better summary measure of mortality than crude death rate.  
In which one of the following situations it makes no difference, which one you use?

1. A rapid growth population
2. A population's birth and death rates are equal
3. A stationary population
4. A slow growth population

Options :

64635071855. 1



64635071856. 2

64635071857. 3

64635071858. 4

Question Number : 90 Question Id : 64635018301 Question Type : MCQ Option Shuffling : No Display Question Number : Yes  
Single Line Question Option : No Option Orientation : Vertical

Correct Marks : 2 Wrong Marks : 0

आयु संभाव्यता सामान्यतः असंशोधित मृत्यु दर की अपेक्षा मृत्यु दर का एक बेहतर शेष मापक है। निम्नलिखित में से कौन-सी स्थिति में कोई अंतर नहीं पड़ता कि किसे आप उपयोग में लाते हैं?

1. एक त्वरित वृद्धि जनसंख्या
2. एक जनसंख्या की जन्म और मृत्यु की दर समान है
3. एक स्थिर जनसंख्या
4. धीमी गति की संवृद्धि जनसंख्या

Options :

64635071855. 1

64635071856. 2

64635071857. 3

64635071858. 4

Question Number : 91 Question Id : 64635018302 Question Type : MCQ Option Shuffling : No Display Question Number : Yes  
Single Line Question Option : No Option Orientation : Vertical

Correct Marks : 2 Wrong Marks : 0

Which of the following correctly describes confounding?

1. It is not possible to isolate effect of confounder variables
2. A confounder is intermediate variable affecting outcome variable
3. A confounder variable affects independent variable
4. A confounder is a variable that influences both the dependent and independent variables causing spurious association

Options :

64635071859. 1

64635071860. 2

64635071861. 3

64635071862. 4

Question Number : 91 Question Id : 64635018302 Question Type : MCQ Option Shuffling : No Display Question Number : Yes  
Single Line Question Option : No Option Orientation : Vertical

Correct Marks : 2 Wrong Marks : 0



निम्नलिखित में से कौन-सा एक भ्रम (कन्फाउंडिंग) का सही वर्णन करता है?

1. 'कन्फाउंडर' चरों के प्रभाव को दूर करना सम्भव नहीं है
2. 'कन्फाउंडर' एक मध्यवर्ती चर है जो परिणामी चर को प्रभावित करता है
3. 'कन्फाउंडर' चर स्वतंत्र चर को प्रभावित करता है
4. 'कन्फाउंडर' वह चर है जो आश्रित और स्वतंत्र दोनों चरों को प्रभावित करता है जिससे नकली साहचर्य उत्पन्न होता है

Options :

64635071859. 1

64635071860. 2

64635071861. 3

64635071862. 4

Question Number : 92 Question Id : 64635018303 Question Type : MCQ Option Shuffling : No Display Question Number : Yes  
Single Line Question Option : No Option Orientation : Vertical

Correct Marks : 2 Wrong Marks : 0

Under National Health Mission, District Early Intervention Centres are established to improve quality of life of children 0–18 years through screening and early detection. Which of the following is not correct under it?

1. Birth defects are treated
2. Deficiencies are treated
3. Development delays and Disabilities are treated
4. Treatment expenditure will be met from funds available with Rogi Kalyan Samitis (RKS)

Options :

64635071863. 1

64635071864. 2

64635071865. 3

64635071866. 4

Question Number : 92 Question Id : 64635018303 Question Type : MCQ Option Shuffling : No Display Question Number : Yes  
Single Line Question Option : No Option Orientation : Vertical

Correct Marks : 2 Wrong Marks : 0

राष्ट्रीय स्वास्थ्य मिशन के अंतर्गत जाँच और शीघ्र पता लगाकर 0–18 वर्ष के बच्चों के जीवन की गुणवत्ता में सुधार करने के लिए 'डिस्ट्रिक्ट अर्ली इंटरवेंशन सेंटर' स्थापित किए गए हैं। इसके अंतर्गत निम्नलिखित में से कौन सा सही नहीं है?

1. जन्म के समय दोष (बर्थ डिफेक्ट्स)
2. अल्पताएँ
3. विकास में विलम्ब और विकलांगताएँ
4. उपचार के व्यय की पूर्ति रोगी कल्याण समितियों (आर. के. एस.) के पास उपलब्ध निधि से की जाएगी



Options :

- 64635071863. 1
- 64635071864. 2
- 64635071865. 3
- 64635071866. 4

Question Number : 93 Question Id : 64635018304 Question Type : MCQ Option Shuffling : No Display Question Number : Yes  
Single Line Question Option : No Option Orientation : Vertical

Correct Marks : 2 Wrong Marks : 0

Under 'National Health Mission' (NHM), which of the following options is correct combination of determinants of 'good health'?

1. Nutrition, sanitation, culture, hygiene
2. Nutrition, sanitation, education, environment
3. Nutrition, sanitation, education, economic development
4. Nutrition, sanitation, hygiene and safe drinking water

Options :

- 64635071867. 1
- 64635071868. 2
- 64635071869. 3
- 64635071870. 4

Question Number : 93 Question Id : 64635018304 Question Type : MCQ Option Shuffling : No Display Question Number : Yes  
Single Line Question Option : No Option Orientation : Vertical

Correct Marks : 2 Wrong Marks : 0

राष्ट्रीय स्वास्थ्य मिशन (एन. एच. एम.) के अंतर्गत निम्नलिखित में से कौन-सा विकल्प 'अच्छे स्वास्थ्य' के निर्धारकों का सही समूह है?

1. पोषण, स्वच्छता, संस्कृति, सफाई
2. पोषण, स्वच्छता, शिक्षा, पर्यावरण
3. पोषण, स्वच्छता, शिक्षा, आर्थिक विकास
4. पोषण, स्वच्छता, सफाई और स्वच्छ पेयजल

Options :

- 64635071867. 1
- 64635071868. 2
- 64635071869. 3
- 64635071870. 4

Question Number : 94 Question Id : 64635018305 Question Type : MCQ Option Shuffling : No Display Question Number : Yes  
Single Line Question Option : No Option Orientation : Vertical

Correct Marks : 2 Wrong Marks : 0

**Assertion (A) :** Female literacy is the best contraceptive to make positive impact on fertility.

**Reason (R) :** If women are literate, their marriages will be delayed and their reproductive behaviour will change and they will have optimal total fertility.

Which among the following is a correct code?

1. Both (A) and (R) are true and (R) is the correct explanation of (A)
2. Both (A) and (R) are true but (R) is not the correct explanation of (A)
3. (A) is true but (R) is false
4. (A) is false but (R) is true

**Options :**

64635071871. 1

64635071872. 2

64635071873. 3

64635071874. 4

**Question Number : 94 Question Id : 64635018305 Question Type : MCQ Option Shuffling : No Display Question Number : Yes Single Line Question Option : No Option Orientation : Vertical**

**Correct Marks : 2 Wrong Marks : 0**

**अभिकथन (A) :** महिला साक्षरता प्रजनन पर सकारात्मक प्रभाव डालने के लिए सर्वोत्तम गर्भ निरोधक उपाय है।

**तर्क (R) :** यदि महिलाएँ साक्षर होंगी तो उनके विवाह में विलम्ब होगा और उनके प्रजनन व्यवहार में बदलाव आएगा और उनकी कुल प्रजनन क्षमता इष्ट तम होगी।

निम्नलिखित में से कौन-सा कूट सही है?

1. (A) और (R) दोनों सही हैं तथा (R), (A) की सही व्याख्या है
2. (A) और (R) दोनों सही हैं किन्तु (R), (A) की सही व्याख्या नहीं है
3. (A) सही है किन्तु (R) गलत है
4. (A) गलत है किन्तु (R) सही है

**Options :**

64635071871. 1

64635071872. 2

64635071873. 3

64635071874. 4

**Question Number : 95 Question Id : 64635018306 Question Type : MCQ Option Shuffling : No Display Question Number : Yes Single Line Question Option : No Option Orientation : Vertical**

**Correct Marks : 2 Wrong Marks : 0**



Which one of the following options is NOT micronutrient deficiency?

1. Iron and Folate deficiency
2. Proteins deficiency
3. Iodine deficiency
4. Vitamin A deficiency

Options :

64635071875. 1

64635071876. 2

64635071877. 3

64635071878. 4

Question Number : 95 Question Id : 64635018306 Question Type : MCQ Option Shuffling : No Display Question Number : Yes  
Single Line Question Option : No Option Orientation : Vertical

Correct Marks : 2 Wrong Marks : 0

निम्नलिखित में से कौन-सा विकल्प सूक्ष्म पोषक तत्व की अल्पता से संबंधित नहीं है?

1. आयरन और फोलेट की अल्पता
2. प्रोटीन की अल्पता
3. आयोडीन की अल्पता
4. विटामिन A की अल्पता

Options :

64635071875. 1

64635071876. 2

64635071877. 3

64635071878. 4

Question Number : 96 Question Id : 64635018307 Question Type : MCQ Option Shuffling : No Display Question Number : Yes  
Single Line Question Option : No Option Orientation : Vertical

Correct Marks : 2 Wrong Marks : 0

Match the 'Risk measures' given in List-I with their 'Explanations' given in List-II :

List-I	List-II
(a) Relative risk	(i) The excess annual incidence of avoidable adverse outcome in the population
(b) Attributable fraction	(ii) Strength of association between risk factor and outcome
(c) Attributable risk	(iii) Ratio of attributable risk and incidence of outcome with risk factors
(d) Population attributable risk	(iv) Difference in incidence of outcome with risk and without risk population

Choose the correct answer from the codes given below :

1. (a)-(i); (b)-(iii); (c)-(iv); (d)-(ii)
2. (a)-(ii); (b)-(iv); (c)-(iii); (d)-(i)
3. (a)-(ii); (b)-(iii); (c)-(iv); (d)-(i)
4. (a)-(ii); (b)-(iii); (c)-(i); (d)-(iv)

Options :

64635071879. 1  
 64635071880. 2  
 64635071881. 3  
 64635071882. 4

Question Number : 96 Question Id : 64635018307 Question Type : MCQ Option Shuffling : No Display Question Number : Yes  
 Single Line Question Option : No Option Orientation : Vertical

Correct Marks : 2 Wrong Marks : 0



सूची-I में दिए गए 'जोखिम उपायों' को सूची-II में दी गई उनकी व्याख्याओं के साथ सुमेलित कीजिए :

सूची-I	सूची-II
(a) सापेक्षिक जोखिम	(i) जनसंख्या में परिहार्य प्रतिकूल परिणाम का अत्यधिक वार्षिक आपतन
(b) विशेषक अंश (एट्रीब्यूटेबल फ्रैक्शन)	(ii) जोखिम कारक और परिणाम के बीच साहचर्य शक्ति
(c) विशेषक जोखिम (एट्रीब्यूटेबल रिस्क)	(iii) जोखिम धारकों सहित विशेषक जोखिम और परिणाम के आपतन का अनुपात
(d) जनसंख्या विशेषक जोखिम	(iv) जोखिम युक्त जनसंख्या और गैर जोखिम युक्त जनसंख्या के परिणाम के आपतन में अंतर

नीचे दिए गए कूट में से सही उत्तर का चयन कीजिए :

- (a)-(i); (b)-(iii); (c)-(iv); (d)-(ii)
- (a)-(ii); (b)-(iv); (c)-(iii); (d)-(i)
- (a)-(ii); (b)-(iii); (c)-(iv); (d)-(i)
- (a)-(ii); (b)-(iii); (c)-(i); (d)-(iv)

Options :

64635071879. 1  
64635071880. 2  
64635071881. 3  
64635071882. 4

Question Number : 97 Question Id : 64635018308 Question Type : MCQ Option Shuffling : No Display Question Number : Yes  
Single Line Question Option : No Option Orientation : Vertical

Correct Marks : 2 Wrong Marks : 0

Which one of the following is true about 'Bridge population' in the context of HIV transmission?

- They conduct behavioural sentinel surveillance among high risk population
- Group of people who spread disease from high risk population to low-risk general population
- Group of people who connects service providers to high risk population
- Group of people who promotes health education message among high risk population

Options :

64635071883. 1  
64635071884. 2  
64635071885. 3  
64635071886. 4

Question Number : 97 Question Id : 64635018308 Question Type : MCQ Option Shuffling : No Display Question Number : Yes  
Single Line Question Option : No Option Orientation : Vertical

Correct Marks : 2 Wrong Marks : 0



एच. आइ. वी. संक्रमण के संदर्भ में 'ब्रिज-पॉपुलेशन' के बारे में निम्नलिखित में कौन-सा एक सही है?

1. वे उच्च जोखिम वाली जनसंख्या में व्यवहारात्मक प्रहरी निगरानी (सेंटीनेल सर्वेइलैन्स) करते हैं
2. ऐसे लोगों का समूह जो उच्च जोखिम वाली जनसंख्या से निम्न जोखिम वाली जनसंख्या में रोग फैलाते हैं
3. ऐसे लोगों का समूह जो सेवा प्रदाताओं को उच्च जोखिम वाली जनसंख्या के साथ जोड़ते हैं
4. ऐसे लोगों का समूह जो उच्च जोखिम वाली जनसंख्या में स्वास्थ्य शिक्षा का संदेश देते हैं

Options :

64635071883. 1

64635071884. 2

64635071885. 3

64635071886. 4

Question Number : 98 Question Id : 64635018309 Question Type : MCQ Option Shuffling : No Display Question Number : Yes  
Single Line Question Option : No Option Orientation : Vertical

Correct Marks : 2 Wrong Marks : 0

What is the population norm for Urban Primary Health Centre being established under National Urban Health Mission (NUHM)?

1. 25,000–30,000
2. 30,000–40,000
3. 40,000–50,000
4. 50,000–60,000

Options :

64635071887. 1

64635071888. 2

64635071889. 3

64635071890. 4

Question Number : 98 Question Id : 64635018309 Question Type : MCQ Option Shuffling : No Display Question Number : Yes  
Single Line Question Option : No Option Orientation : Vertical

Correct Marks : 2 Wrong Marks : 0

राष्ट्रीय शहरी स्वास्थ्य मिशन (एन. यू. एच. एम.) के अंतर्गत स्थापित किए जा रहे शहरी प्राथमिक स्वास्थ्य केन्द्र के लिए जनसंख्या संबंधी मानदंड क्या है?

1. 25,000–30,000
2. 30,000–40,000
3. 40,000–50,000
4. 50,000–60,000

Options :

64635071887. 1



64635071888. 2

64635071889. 3

64635071890. 4

**Question Number : 99 Question Id : 64635018310 Question Type : MCQ Option Shuffling : No Display Question Number : Yes**  
**Single Line Question Option : No Option Orientation : Vertical**

**Correct Marks : 2 Wrong Marks : 0**

**Match different types of Indicator given in List-I with their Examples given in List-II :**

List-I	List-II
(a) Input indicator	(i) Increase in institutional delivery
(b) Process indicator	(ii) Timely supply of oral contraceptive pills
(c) Output indicator	(iii) Number of ASHAs trained and functioning
(d) Outcome indicator	(iv) Reduction in maternal deaths during delivery

**Choose the correct answer from the codes given below :**

1. (a)-(ii); (b)-(i); (c)-(iii); (d)-(iv)
2. (a)-(ii); (b)-(iii); (c)-(i); (d)-(iv)
3. (a)-(ii); (b)-(i); (c)-(iv); (d)-(iii)
4. (a)-(ii); (b)-(iii); (c)-(iv); (d)-(i)

**Options :**

64635071891. 1

64635071892. 2

64635071893. 3

64635071894. 4

**Question Number : 99 Question Id : 64635018310 Question Type : MCQ Option Shuffling : No Display Question Number : Yes**  
**Single Line Question Option : No Option Orientation : Vertical**

**Correct Marks : 2 Wrong Marks : 0**

सूची-I में दिए गए विभिन्न प्रकार के संकेतकों को सूची-II में दिए गए उनके उदाहरणों के साथ सुमेलित कीजिए :

सूची-I	सूची-II
(a) इनपुट संकेतक	(i) संस्थागत प्रदायगी में वृद्धि
(b) प्रोसेस संकेतक	(ii) गर्भनिरोधक गोलियों की समय पर आपूर्ति
(c) आउटपुट संकेतक	(iii) प्रशिक्षित और कार्यरत आशा कार्यकर्ताओं की संख्या
(d) आउटकम संकेतक	(iv) प्रसव के दौरान मातृ मृत्यु में कमी

नीचे दिए गए कूट में से सही उत्तर का चयन कीजिए :

- (a)-(ii); (b)-(i); (c)-(iii); (d)-(iv)
- (a)-(ii); (b)-(iii); (c)-(i); (d)-(iv)
- (a)-(ii); (b)-(i); (c)-(iv); (d)-(iii)
- (a)-(ii); (b)-(iii); (c)-(iv); (d)-(i)

Options :

64635071891. 1  
64635071892. 2  
64635071893. 3  
64635071894. 4

Question Number : 100 Question Id : 64635018311 Question Type : MCQ Option Shuffling : No Display Question Number : Yes  
Single Line Question Option : No Option Orientation : Vertical

Correct Marks : 2 Wrong Marks : 0

Which of the following is NOT covered under 'Mission Parivar Vikas' under the family planning programme?

- Rollout of injectable contraceptive 'Antara'
- Augmenting of PPIUCD services
- Augmenting sterilization services
- Providing more ASHA workers in districts with TFR > 3

Options :

64635071895. 1  
64635071896. 2  
64635071897. 3  
64635071898. 4

Question Number : 100 Question Id : 64635018311 Question Type : MCQ Option Shuffling : No Display Question Number : Yes  
Single Line Question Option : No Option Orientation : Vertical

Correct Marks : 2 Wrong Marks : 0



परिवार नियोजन कार्यक्रम के तहत चलाए जा रहे 'मिशन परिवार विकास' के अंतर्गत निम्नलिखित में से किसे कवर नहीं किया गया है?

1. गर्भनिरोधक इंजेक्शन 'अंतरा' की शुरुआत
2. पी. पी. आई. यू. सी. डी. सेवाओं में वृद्धि करना
3. बंध्याकरण सेवाओं में वृद्धि करना
4. 3 से अधिक टी. एफ. आर. वाले जिलों में अधिक आशा कार्यकर्ता उपलब्ध कराना

Options :

64635071895. 1

64635071896. 2

64635071897. 3

64635071898. 4

Question Number : 101 Question Id : 64635018312 Question Type : MCQ Option Shuffling : No Display Question Number : Yes  
Single Line Question Option : No Option Orientation : Vertical

Correct Marks : 2 Wrong Marks : 0

Which of the following health services are NOT covered under the Prime Minister Jan Arogya Yojana (PMJAY)?

1. Hospitalization expenses
2. Day care surgeries
3. New Born child services
4. Counselling services

Options :

64635071899. 1

64635071900. 2

64635071901. 3

64635071902. 4

Question Number : 101 Question Id : 64635018312 Question Type : MCQ Option Shuffling : No Display Question Number : Yes  
Single Line Question Option : No Option Orientation : Vertical

Correct Marks : 2 Wrong Marks : 0

प्रधानमंत्री जन आरोग्य योजना (पी. एम. जे. ए. वाई.) के अंतर्गत निम्नलिखित में से कौन-सी सेवाओं को कवर नहीं किया गया है?

1. अस्पताल में भर्ती का व्यय
2. डे-केयर सर्जरी
3. नवजात शिशु सेवाएँ
4. परामर्श सेवाएँ

Options :

64635071899. 1

64635071900. 2

64635071901. 3

64635071902. 4

Question Number : 102 Question Id : 64635018313 Question Type : MCQ Option Shuffling : No Display Question Number : Yes  
 Single Line Question Option : No Option Orientation : Vertical

Correct Marks : 2 Wrong Marks : 0

Match the types of research study in health given in List-I with their description given in List-II :

List-I		List-II
(a) Descriptive study	(i)	Purpose is to investigate risk factors to the disease
(b) Analytical study	(ii)	Measures the incidence of disease over time
(c) Case control study	(iii)	Measurements of exposure and the effect are made at same time
(d) Cohort study	(iv)	The study analyses the relationship between the health status with other variables

Choose the correct answer from the codes given below :

1. (a)-(iii); (b)-(iv); (c)-(i); (d)-(ii)
2. (a)-(ii); (b)-(iv); (c)-(i); (d)-(iii)
3. (a)-(iii); (b)-(i); (c)-(iv); (d)-(ii)
4. (a)-(ii); (b)-(iii); (c)-(iv); (d)-(i)

Options :

64635071903. 1

64635071904. 2

64635071905. 3

64635071906. 4

Question Number : 102 Question Id : 64635018313 Question Type : MCQ Option Shuffling : No Display Question Number : Yes  
 Single Line Question Option : No Option Orientation : Vertical

Correct Marks : 2 Wrong Marks : 0



सूची-I में स्वास्थ्य के क्षेत्र में शोध अध्ययन के प्रकार को सूची-II में दी गई उनकी व्याख्या से सुमेलित कीजिए :

सूची-I	सूची-II
(a) वर्णनात्मक अध्ययन	(i) इसका उद्देश्य रोग के जोखिम कारकों का अन्वेषण करना है
(b) विश्लेषणात्मक अध्ययन	(ii) इससे समयानुक्रम में रोग उत्पन्न होने की घटना को मापा जाता है
(c) मामला-नियंत्रण अध्ययन	(iii) प्रकट होने और इससे उत्पन्न प्रभाव दोनों का मापन एक ही समय में किया जाता है
(d) सहगण अध्ययन	(iv) इस अध्ययन में स्वास्थ्य की प्रस्थिति और अन्य चरों के मध्य संबंध का विश्लेषण किया जाता है

नीचे दिए गए कूट में से सही उत्तर का चयन कीजिए :

- (a)-(iii); (b)-(iv); (c)-(i); (d)-(ii)
- (a)-(ii); (b)-(iv); (c)-(i); (d)-(iii)
- (a)-(iii); (b)-(i); (c)-(iv); (d)-(ii)
- (a)-(ii); (b)-(iii); (c)-(iv); (d)-(i)

Options :

64635071903. 1  
64635071904. 2  
64635071905. 3  
64635071906. 4

Question Number : 103 Question Id : 64635018314 Question Type : MCQ Option Shuffling : No Display Question Number : Yes  
Single Line Question Option : No Option Orientation : Vertical

Correct Marks : 2 Wrong Marks : 0

Much of the problems of the society can be attributed to the inequities of the social institutions especially greed and accumulation of poverty. This view-point can be best attributed to

- John Graunt
- William Godwin
- Thomas R. Malthus
- Robert Wallace

Options :

64635071907. 1  
64635071908. 2  
64635071909. 3  
64635071910. 4

Question Number : 103 Question Id : 64635018314 Question Type : MCQ Option Shuffling : No Display Question Number : Yes  
Single Line Question Option : No Option Orientation : Vertical

Correct Marks : 2 Wrong Marks : 0

“समाज में अधिकांश समस्याओं का कारण सामाजिक संस्थाओं में असमानताएँ विशेष कर लालच और गरीबी में वृद्धि है।” इस विचार का श्रेय निम्नलिखित में से किसे जाता है?

1. जॉन ग्राउंट
2. विलियम गॉडविन
3. थॉमस आर. माल्थस
4. रॉबर्ट वेलेस

Options :

64635071907. 1  
 64635071908. 2  
 64635071909. 3  
 64635071910. 4

Question Number : 104 Question Id : 64635018315 Question Type : MCQ Option Shuffling : No Display Question Number : Yes  
 Single Line Question Option : No Option Orientation : Vertical

Correct Marks : 2 Wrong Marks : 0

The term 'Demography' was coined by

1. John Graunt
2. Achille Guillard
3. William Petty
4. Edmund Halley

Options :

64635071911. 1  
 64635071912. 2  
 64635071913. 3  
 64635071914. 4

Question Number : 104 Question Id : 64635018315 Question Type : MCQ Option Shuffling : No Display Question Number : Yes  
 Single Line Question Option : No Option Orientation : Vertical

Correct Marks : 2 Wrong Marks : 0

'डेमाग्राफी' शब्द का प्रतिपादन किसने किया था?

1. जॉन ग्राउंट
2. एशिले गिलार्ड
3. विलियम पेट्टी
4. एडमंड हैले

Options :

64635071911. 1  
 64635071912. 2  
 64635071913. 3  
 64635071914. 4

Question Number : 105 Question Id : 64635018316 Question Type : MCQ Option Shuffling : No Display Question Number : Yes  
 Single Line Question Option : No Option Orientation : Vertical



Correct Marks : 2 Wrong Marks : 0

Which of the following country is characterized by 'ecological deficit'?

1. USA
2. Canada
3. Russia
4. Australia

Options :

64635071915. 1  
64635071916. 2  
64635071917. 3  
64635071918. 4

Question Number : 105 Question Id : 64635018316 Question Type : MCQ Option Shuffling : No Display Question Number : Yes  
Single Line Question Option : No Option Orientation : Vertical

Correct Marks : 2 Wrong Marks : 0

'पारिस्थितिकीय घाटा' निम्नलिखित में से किस देश की विशेषता है?

1. संयुक्त राज्य अमेरिका
2. कनाडा
3. रूस
4. ऑस्ट्रेलिया

Options :

64635071915. 1  
64635071916. 2  
64635071917. 3  
64635071918. 4

Question Number : 106 Question Id : 64635018317 Question Type : MCQ Option Shuffling : No Display Question Number : Yes  
Single Line Question Option : No Option Orientation : Vertical

Correct Marks : 2 Wrong Marks : 0

Which of the following contributed the largest share of international migrants as source area in 2017?

1. USA
2. Russia
3. China
4. India

Options :

64635071919. 1  
64635071920. 2  
64635071921. 3  
64635071922. 4

Question Number : 106 Question Id : 64635018317 Question Type : MCQ Option Shuffling : No Display Question Number : Yes  
Single Line Question Option : No Option Orientation : Vertical

Correct Marks : 2 Wrong Marks : 0

वर्ष 2017 में निम्नलिखित में से किस देश का स्रोत क्षेत्र के रूप में अंतर्राष्ट्रीय प्रवासियों में सर्वाधिक हिस्सा रहा?

1. संयुक्त राज्य अमेरिका
2. रूस
3. चीन
4. भारत

Options :

64635071919. 1  
64635071920. 2  
64635071921. 3  
64635071922. 4

Question Number : 107 Question Id : 64635018318 Question Type : MCQ Option Shuffling : No Display Question Number : Yes  
Single Line Question Option : No Option Orientation : Vertical

Correct Marks : 2 Wrong Marks : 0

International migrants accounted for what percent of the world population in 2017?

1. Below 2 percent
2. 2–5 percent
3. 5–7 percent
4. 8–10 percent

Options :

64635071923. 1  
64635071924. 2  
64635071925. 3  
64635071926. 4

Question Number : 107 Question Id : 64635018318 Question Type : MCQ Option Shuffling : No Display Question Number : Yes  
Single Line Question Option : No Option Orientation : Vertical

Correct Marks : 2 Wrong Marks : 0

वर्ष 2017 में विश्व की जनसंख्या के कितने प्रतिशत अंतर्राष्ट्रीय प्रवासी थे?

1. 2 प्रतिशत से कम
2. 2–5 प्रतिशत
3. 5–7 प्रतिशत
4. 8–10 प्रतिशत

Options :

64635071923. 1  
64635071924. 2  
64635071925. 3  
64635071926. 4



Question Number : 108 Question Id : 64635018319 Question Type : MCQ Option Shuffling : No Display Question Number : Yes  
Single Line Question Option : No Option Orientation : Vertical  
Correct Marks : 2 Wrong Marks : 0

While defining migration, which of the following is considered?

1. Crossing over an administrative boundary with change in place of residence
2. Change in place of residence
3. Frequency of trips made
4. Distance covered

Options :

- 64635071927. 1
- 64635071928. 2
- 64635071929. 3
- 64635071930. 4

Question Number : 108 Question Id : 64635018319 Question Type : MCQ Option Shuffling : No Display Question Number : Yes  
Single Line Question Option : No Option Orientation : Vertical  
Correct Marks : 2 Wrong Marks : 0

प्रजनन को परिभाषित करते समय निम्नलिखित में से किस पर विचार किया जाता है?

1. निवास स्थान में परिवर्तन सहित किसी प्रशासनिक सीमा को पार करना
2. निवास स्थान में परिवर्तन
3. आने-जाने की बारंबारता
4. तय की गई दूरी

Options :

- 64635071927. 1
- 64635071928. 2
- 64635071929. 3
- 64635071930. 4

Question Number : 109 Question Id : 64635018320 Question Type : MCQ Option Shuffling : No Display Question Number : Yes  
Single Line Question Option : No Option Orientation : Vertical  
Correct Marks : 2 Wrong Marks : 0

Which one is the correct sequence of Union Territories in descending order on the basis of levels of urbanization in 2011?

1. NCT of Delhi, Puducherry, Daman & Diu and Chandigarh
2. NCT of Delhi, Chandigarh, Daman & Diu and Puducherry
3. Chandigarh, NCT of Delhi, Daman & Diu and Puducherry
4. Chandigarh, NCT of Delhi, Puducherry and Daman & Diu

Options :

- 64635071931. 1
- 64635071932. 2
- 64635071933. 3

64635071934. 4

Question Number : 109 Question Id : 64635018320 Question Type : MCQ Option Shuffling : No Display Question Number : Yes  
Single Line Question Option : No Option Orientation : Vertical

Correct Marks : 2 Wrong Marks : 0

वर्ष 2011 की जनगणना के अनुसार शहरीकरण के स्तरों के आधार पर अवरोही क्रम में संघ राज्य क्षेत्रों का सही क्रम कौन-सा है?

1. राष्ट्रीय राजधानी क्षेत्र दिल्ली, पुदुचेरी, दमन और दिऊ तथा चंडीगढ़
2. राष्ट्रीय राजधानी क्षेत्र दिल्ली, चंडीगढ़, दमन और दिऊ तथा पुदुचेरी
3. चंडीगढ़, राष्ट्रीय राजधानी क्षेत्र दिल्ली, दमन और दिऊ तथा पुदुचेरी
4. चंडीगढ़, राष्ट्रीय राजधानी क्षेत्र दिल्ली, पुदुचेरी तथा दमन और दिऊ

Options :

64635071931. 1

64635071932. 2

64635071933. 3

64635071934. 4

Question Number : 110 Question Id : 64635018321 Question Type : MCQ Option Shuffling : No Display Question Number : Yes  
Single Line Question Option : No Option Orientation : Vertical

Correct Marks : 2 Wrong Marks : 0

Urban centres with population size of less than 5000 persons contribute what percent of total urban population in 2011?

1. Less than 5 percent
2. 5–7 percent
3. 8–10 percent
4. 10–12 percent

Options :

64635071935. 1

64635071936. 2

64635071937. 3

64635071938. 4

Question Number : 110 Question Id : 64635018321 Question Type : MCQ Option Shuffling : No Display Question Number : Yes  
Single Line Question Option : No Option Orientation : Vertical

Correct Marks : 2 Wrong Marks : 0

वर्ष 2011 की जनगणना के अनुसार कुल शहरी जनसंख्या का कितने प्रतिशत लोग 5000 से कम जनसंख्या वाले शहरों में रहते हैं?

1. 5 प्रतिशत से कम
2. 5–7 प्रतिशत
3. 8–10 प्रतिशत
4. 10–12 प्रतिशत

Options :

64635071935. 1



64635071936. 2

64635071937. 3

64635071938. 4

Question Number : 111 Question Id : 64635018322 Question Type : MCQ Option Shuffling : No Display Question Number : Yes  
Single Line Question Option : No Option Orientation : Vertical

Correct Marks : 2 Wrong Marks : 0

The largest contributor to urban growth in India during 2001–2011 is

1. rural to urban migration
2. rate of natural increase
3. new towns minus declassified towns
4. expansion in municipal limit

Options :

64635071939. 1

64635071940. 2

64635071941. 3

64635071942. 4

Question Number : 111 Question Id : 64635018322 Question Type : MCQ Option Shuffling : No Display Question Number : Yes  
Single Line Question Option : No Option Orientation : Vertical

Correct Marks : 2 Wrong Marks : 0

वर्ष 2001-2011 के दौरान भारत में शहरी जनसंख्या वृद्धि में सर्वाधिक योगदान किसका है?

1. ग्रामीण से शहरी क्षेत्रों की ओर प्रव्रजन
2. जनसंख्या की स्वाभाविक वृद्धि दर
3. नये नगर जिनमें अवर्गीकृत नगर शामिल नहीं है
4. नगरपालिका क्षेत्र की सीमाओं में विस्तार

Options :

64635071939. 1

64635071940. 2

64635071941. 3

64635071942. 4

Question Number : 112 Question Id : 64635018323 Question Type : MCQ Option Shuffling : No Display Question Number : Yes  
Single Line Question Option : No Option Orientation : Vertical

Correct Marks : 2 Wrong Marks : 0

According to 2011 Census, what percentage of India's population resides in urban areas?

1. 25–27 percent
2. 28–30 percent
3. 30–32 percent
4. 35–37 percent

Options :

- 64635071943. 1
- 64635071944. 2
- 64635071945. 3
- 64635071946. 4

Question Number : 112 Question Id : 64635018323 Question Type : MCQ Option Shuffling : No Display Question Number : Yes  
Single Line Question Option : No Option Orientation : Vertical

Correct Marks : 2 Wrong Marks : 0

वर्ष 2011 की जनगणना के अनुसार भारत की कितनी प्रतिशत जनसंख्या शहरी क्षेत्रों में रहती है?

- 1. 25–27 प्रतिशत
- 2. 28–30 प्रतिशत
- 3. 30–32 प्रतिशत
- 4. 35–37 प्रतिशत

Options :

- 64635071943. 1
- 64635071944. 2
- 64635071945. 3
- 64635071946. 4

Question Number : 113 Question Id : 64635018324 Question Type : MCQ Option Shuffling : No Display Question Number : Yes  
Single Line Question Option : No Option Orientation : Vertical

Correct Marks : 2 Wrong Marks : 0

In the equation  $I = PAT$ , which letter represents income?

- 1. I
- 2. P
- 3. A
- 4. T

Options :

- 64635071947. 1
- 64635071948. 2
- 64635071949. 3
- 64635071950. 4

Question Number : 113 Question Id : 64635018324 Question Type : MCQ Option Shuffling : No Display Question Number : Yes  
Single Line Question Option : No Option Orientation : Vertical

Correct Marks : 2 Wrong Marks : 0



समीकरण  $I = PAT$  में कौन-सा अक्षर आय दर्शाता है?

1. I
2. P
3. A
4. T

Options :

64635071947. 1  
64635071948. 2  
64635071949. 3  
64635071950. 4

Question Number : 114 Question Id : 64635018325 Question Type : MCQ Option Shuffling : No Display Question Number : Yes  
Single Line Question Option : No Option Orientation : Vertical

Correct Marks : 2 Wrong Marks : 0

Which among the following is the most appropriate method to represent trends in birth-rate in a region?

1. Line graph
2. Pie diagram
3. Bar diagram
4. Band graph

Options :

64635071951. 1  
64635071952. 2  
64635071953. 3  
64635071954. 4

Question Number : 114 Question Id : 64635018325 Question Type : MCQ Option Shuffling : No Display Question Number : Yes  
Single Line Question Option : No Option Orientation : Vertical

Correct Marks : 2 Wrong Marks : 0

किसी क्षेत्र में जन्म दर की प्रवृत्तियों को प्रदर्शित करने के लिए निम्नलिखित में से कौन-सी सबसे उपयुक्त विधि है?

1. लाइन ग्राफ
2. पाई ग्राफ
3. बार डायग्राम
4. बैंड ग्राफ

Options :

64635071951. 1  
 64635071952. 2  
 64635071953. 3  
 64635071954. 4

**Sub-Section Number:** 5  
**Sub-Section Id:** 646350895  
**Question Shuffling Allowed :** Yes

**Question Id :** 64635018326 **Question Type :** COMPREHENSION **Sub Question Shuffling Allowed :** Yes **Group Comprehension Questions :** No

**Question Numbers :** (115 to 119)

**Question Label :** Comprehension

**Direction :** Answer on the basis of the data given below :

**Heights of fathers and their eldest sons**

<i>Height of Father</i> (inches)	65	63	67	64	68	62	70	66	68	67	69	71
<i>Height of Son</i> (inches)	68	66	68	65	69	66	68	65	71	67	68	70

**Sub questions**

**Question Number :** 115 **Question Id :** 64635018327 **Question Type :** MCQ **Option Shuffling :** No **Display Question Number :** Yes  
**Single Line Question Option :** No **Option Orientation :** Vertical

**Correct Marks :** 2 **Wrong Marks :** 0

**Median (statistical measure of location) value of height of the son is :**

1. 67 inches
2. 67.5 inches
3. 66 inches
4. 68 inches

**Options :**

64635071955. 1  
 64635071956. 2  
 64635071957. 3  
 64635071958. 4

**Question Number :** 116 **Question Id :** 64635018328 **Question Type :** MCQ **Option Shuffling :** No **Display Question Number :** Yes  
**Single Line Question Option :** No **Option Orientation :** Vertical

**Correct Marks :** 2 **Wrong Marks :** 0



Modal value (statistical measure of location) of the height of the son is :

1. 65 inches
2. 66 inches
3. 67 inches
4. 68 inches

Options :

64635071959. 1

64635071960. 2

64635071961. 3

64635071962. 4

Question Number : 117 Question Id : 64635018329 Question Type : MCQ Option Shuffling : No Display Question Number : Yes  
Single Line Question Option : No Option Orientation : Vertical

Correct Marks : 2 Wrong Marks : 0

Range (statistical measure of variation) of the son's height is :

1. 70–66 inches
2. 71–65 inches
3. 65–71 inches
4. 71–66 inches

Options :

64635071963. 1

64635071964. 2

64635071965. 3

64635071966. 4

Question Number : 118 Question Id : 64635018330 Question Type : MCQ Option Shuffling : No Display Question Number : Yes  
Single Line Question Option : No Option Orientation : Vertical

Correct Marks : 2 Wrong Marks : 0

Correlation between heights of father and son is :

1. 1
2. -1
3. positive with value less than 1
4. negative with value between 0 to -1

Options :

64635071967. 1

64635071968. 2

64635071969. 3

64635071970. 4

Question Number : 119 Question Id : 64635018331 Question Type : MCQ Option Shuffling : No Display Question Number : Yes  
Single Line Question Option : No Option Orientation : Vertical

Correct Marks : 2 Wrong Marks : 0

Regression equation between the heights of father and son is  $Y = 35.8 + 48X$ , where  $Y$  = height of son and  $X$  that of father. Which of the following options are correct interpretations of the equation?

- (a) Height of son increases with height of father
- (b) Height of son increases by 0.48 inches per inch increase in height of father
- (c) Height of son starts with 35.8 inches
- (d) Height of son increases by 0.48 times the height of father

Choose the correct answer from the codes given below :

- 1. (a) and (c)
- 2. (a) and (b)
- 3. (c) and (d)
- 4. (b) and (c)

Options :

64635071971. 1

64635071972. 2

64635071973. 3

64635071974. 4

Question Id : 64635018326 Question Type : COMPREHENSION Sub Question Shuffling Allowed : Yes Group Comprehension Questions : No

Question Numbers : (115 to 119)

Question Label : Comprehension

निर्देश : नीचे दिए गए आँकड़ों के आधार पर प्रश्न सं. का उत्तर दीजिए :

पिता और उनके ज्येष्ठ पुत्रों की ऊँचाई नीचे दी गई है :

पिता की ऊँचाई (इंच में)	65	63	67	64	68	62	70	66	68	67	69	71
पुत्र की ऊँचाई (इंच में)	68	66	68	65	69	66	68	65	71	67	68	70

Sub questions

Question Number : 115 Question Id : 64635018327 Question Type : MCQ Option Shuffling : No Display Question Number : Yes Single Line Question Option : No Option Orientation : Vertical

Correct Marks : 2 Wrong Marks : 0



पुत्र की ऊँचाई का माथिका (अवस्थिति की सांख्यिकी माप) क्या है?

1. 67 इंच
2. 67.5 इंच
3. 66 इंच
4. 68 इंच

Options :

64635071955. 1  
64635071956. 2  
64635071957. 3  
64635071958. 4

Question Number : 116 Question Id : 64635018328 Question Type : MCQ Option Shuffling : No Display Question Number : Yes  
Single Line Question Option : No Option Orientation : Vertical

Correct Marks : 2 Wrong Marks : 0

पुत्र की ऊँचाई का बहुलक मान (अवस्थिति की सांख्यिक माप) निम्न में कौन-सा है?

1. 65 इंच
2. 66 इंच
3. 67 इंच
4. 68 इंच

Options :

64635071959. 1  
64635071960. 2  
64635071961. 3  
64635071962. 4

Question Number : 117 Question Id : 64635018329 Question Type : MCQ Option Shuffling : No Display Question Number : Yes  
Single Line Question Option : No Option Orientation : Vertical

Correct Marks : 2 Wrong Marks : 0

निम्न में कौन-सा पुत्र की ऊँचाई का रेंज (प्रचरण का सांख्यिकीय मान) है?

1. 70-66 इंच
2. 71-65 इंच
3. 65-71 इंच
4. 71-66 इंच

Options :

64635071963. 1  
64635071964. 2  
64635071965. 3  
64635071966. 4

Question Number : 118 Question Id : 64635018330 Question Type : MCQ Option Shuffling : No Display Question Number : Yes  
Single Line Question Option : No Option Orientation : Vertical

Correct Marks : 2 Wrong Marks : 0

निम्न में कौन-सा पिता और पुत्र की ऊँचाई के मध्य सह संबंध है?

1. 1
2. -1
3. 1 से कम धनात्मक मान
4. 0 से -1 के मध्य ऋणात्मक मान

Options :

64635071967. 1

64635071968. 2

64635071969. 3

64635071970. 4

Question Number : 119 Question Id : 64635018331 Question Type : MCQ Option Shuffling : No Display Question Number : Yes  
Single Line Question Option : No Option Orientation : Vertical

Correct Marks : 2 Wrong Marks : 0

पिता और पुत्र की ऊँचाई के मध्य प्रतिगमन समीकरण है  $Y = 35.8 + 48X$ ,  
जहाँ  $Y =$  पुत्र की ऊँचाई  $X$  पिता की ऊँचाई

निम्नलिखित में से किस विकल्प/किन विकल्पों में इस समीकरण की सही व्याख्या की गई है?

- (a) पुत्र की ऊँचाई पिता की ऊँचाई के साथ बढ़ती है
- (b) पुत्र की ऊँचाई पिता की ऊँचाई से 0-48 इंच अधिक बढ़ती है
- (c) पुत्र की ऊँचाई 35.8 इंच बढ़ती है
- (d) पुत्र की ऊँचाई पिता की ऊँचाई से 0-48 गुणा बढ़ती है

नीचे दिये गये कूट में से सही उत्तर चुनिए :

1. (a) और (c)
2. (a) और (b)
3. (c) और (d)
4. (b) और (c)

Options :

64635071971. 1

64635071972. 2

64635071973. 3

64635071974. 4

Sub-Section Number:	6
Sub-Section Id:	646350896
Question Shuffling Allowed :	Yes



Question Number : 120 Question Id : 64635018332 Question Type : MCQ Option Shuffling : No Display Question Number : Yes  
Single Line Question Option : No Option Orientation : Vertical

Correct Marks : 2 Wrong Marks : 0

What percent of India's urban population reside in slums in 2011 Census?

1.  $\leq 30$
2. 25.0–29.9
3. 20.0–24.9
4. 15.0–19.9

Options :

64635071975. 1

64635071976. 2

64635071977. 3

64635071978. 4

Question Number : 120 Question Id : 64635018332 Question Type : MCQ Option Shuffling : No Display Question Number : Yes  
Single Line Question Option : No Option Orientation : Vertical

Correct Marks : 2 Wrong Marks : 0

वर्ष 2011 की जनगणना के आधार पर भारत की शहरी जनसंख्या का कितना प्रतिशत मलिन बस्तियों में निवास करता है?

1.  $\leq 30$
2. 25.0–29.9
3. 20.0–24.9
4. 15.0–19.9

Options :

64635071975. 1

64635071976. 2

64635071977. 3

64635071978. 4

Question Number : 121 Question Id : 64635018333 Question Type : MCQ Option Shuffling : No Display Question Number : Yes  
Single Line Question Option : No Option Orientation : Vertical

Correct Marks : 2 Wrong Marks : 0

Given (i) Census population of UP for 2011, (ii) Fertility and mortality levels for 2018, and (iii) Migration during various decades. Which of the following components need to be projected for projecting UP population to the year 2021?

1. Fertility alone
2. Mortality alone
3. Fertility and mortality
4. Fertility, mortality and migration

Options :

64635071979. 1

64635071980. 2

64635071981. 3

64635071982. 4

Question Number : 121 Question Id : 64635018333 Question Type : MCQ Option Shuffling : No Display Question Number : Yes  
Single Line Question Option : No Option Orientation : Vertical

Correct Marks : 2 Wrong Marks : 0

(i) वर्ष 2011 की जनगणना के अनुसार उत्तर प्रदेश की जनसंख्या, (ii) वर्ष 2018 का प्रजनन और मृत्यु दर स्तर और (iii) विभिन्न दशकों में प्रवास के आधार पर वर्ष 2021 में उत्तर प्रदेश की जनसंख्या को प्रक्षेपित करने के लिए निम्नलिखित में से किस घटक को प्रक्षेपित किए जाने की आवश्यकता है?

1. केवल प्रजनन दर
2. केवल मृत्यु दर
3. प्रजनन दर और मृत्यु दर
4. प्रजनन दर, मृत्यु दर और प्रवास

Options :

64635071979. 1

64635071980. 2

64635071981. 3

64635071982. 4

Question Number : 122 Question Id : 64635018334 Question Type : MCQ Option Shuffling : No Display Question Number : Yes  
Single Line Question Option : No Option Orientation : Vertical

Correct Marks : 2 Wrong Marks : 0



Match the fertility indicators shown in List-I with the data required for its denominator shown in List-II :

List-I		List-II	
(a) Total Fertility rate	(i) Total population		
(b) Total marital fertility rate	(ii) Total number of women in reproductive age groups		
(c) General fertility rate	(iii) Age specific women in reproduction ages		
(d) Crude birthrate	(iv) Age specific married women in reproductive age		

Choose the correct answer from the codes given below :

- (a)-(ii); (b)-(iv); (c)-(iii); (d)-(i)
- (a)-(i); (b)-(iv); (c)-(iii); (d)-(ii)
- (a)-(iii); (b)-(iv); (c)-(ii); (d)-(i)
- (a)-(ii); (b)-(iv); (c)-(i); (d)-(iii)

Options :

64635071983. 1  
64635071984. 2  
64635071985. 3  
64635071986. 4

Question Number : 122 Question Id : 64635018334 Question Type : MCQ Option Shuffling : No Display Question Number : Yes  
Single Line Question Option : No Option Orientation : Vertical  
Correct Marks : 2 Wrong Marks : 0

सूची-I में दर्शाए गए प्रजनन संकेतकों को सूची-II में उल्लिखित इसके निर्धारण के लिए अपेक्षित आँकड़ों से सुमेलित कीजिए :

सूची-I	सूची-II
(a) कुल प्रजनन दर	(i) कुल जनसंख्या
(b) कुल वैवाहिक प्रजनन दर	(ii) प्रजनन आयु समूह में महिलाओं की कुल संख्या
(c) सामान्य प्रजनन दर	(iii) प्रजनन आयु की महिलाओं की विशिष्ट आयु
(d) अशोधित जन्म दर	(iv) प्रजनन आयु में विवाहित महिलाओं की विशिष्ट आयु

नीचे दिए गए कूट में से सही उत्तर चुनिए :

- (a)-(ii); (b)-(iv); (c)-(iii); (d)-(i)
- (a)-(i); (b)-(iv); (c)-(iii); (d)-(ii)
- (a)-(iii); (b)-(iv); (c)-(ii); (d)-(i)
- (a)-(ii); (b)-(iv); (c)-(i); (d)-(iii)

Options :

64635071983. 1

64635071984. 2

64635071985. 3

64635071986. 4

Question Number : 123 Question Id : 64635018335 Question Type : MCQ Option Shuffling : No Display Question Number : Yes  
Single Line Question Option : No Option Orientation : Vertical

Correct Marks : 2 Wrong Marks : 0

In order to compute net reproduction rate, which option of data among the following is NOT needed?

- Sex ratio at birth
- Sex ratio in reproductive ages
- Age specific fertility rates
- Life table

Options :

64635071987. 1

64635071988. 2

64635071989. 3

64635071990. 4

Question Number : 123 Question Id : 64635018335 Question Type : MCQ Option Shuffling : No Display Question Number : Yes  
Single Line Question Option : No Option Orientation : Vertical

Correct Marks : 2 Wrong Marks : 0



निबल प्रजनन दर की गणना के लिए निम्नलिखित में से कौन-सा आँकड़ा अपेक्षित नहीं है?

1. जन्म के समय लिंगानुपात
2. प्रजनन आयु में लिंगानुपात
3. आयु विशिष्ट प्रजनन दर
4. जीवन तालिका

Options :

64635071987. 1  
64635071988. 2  
64635071989. 3  
64635071990. 4

Question Number : 124 Question Id : 64635018336 Question Type : MCQ Option Shuffling : No Display Question Number : Yes  
Single Line Question Option : No Option Orientation : Vertical

Correct Marks : 2 Wrong Marks : 0

Which large state in India has the highest percent of SC/ST population in 2011 Census?

1. Chhattisgarh
2. Jharkhand
3. Madhya Pradesh
4. Odisha

Options :

64635071991. 1  
64635071992. 2  
64635071993. 3  
64635071994. 4

Question Number : 124 Question Id : 64635018336 Question Type : MCQ Option Shuffling : No Display Question Number : Yes  
Single Line Question Option : No Option Orientation : Vertical

Correct Marks : 2 Wrong Marks : 0

वर्ष 2011 की जनगणना के आधार पर भारत के किस बड़े राज्य में अ.जा./अ.ज.जा. की जनसंख्या सबसे अधिक है?

1. छत्तीसगढ़
2. झारखण्ड
3. मध्य प्रदेश
4. ओड़िशा

Options :

64635071991. 1  
64635071992. 2  
64635071993. 3  
64635071994. 4

Question Number : 125 Question Id : 64635018337 Question Type : MCQ Option Shuffling : No Display Question Number : Yes  
Single Line Question Option : No Option Orientation : Vertical

Correct Marks : 2 Wrong Marks : 0

What is the level of population sex ratio in India as per 2011 Census?

1. 950+
2. 940 to 949
3. 930 to 939
4. 920 to 929

Options :

64635071995. 1

64635071996. 2

64635071997. 3

64635071998. 4

Question Number : 125 Question Id : 64635018337 Question Type : MCQ Option Shuffling : No Display Question Number : Yes  
Single Line Question Option : No Option Orientation : Vertical

Correct Marks : 2 Wrong Marks : 0

वर्ष 2011 की जनगणना के अनुसार भारत की जनसंख्या का लिंगानुपात क्या है?

1. 950 से अधिक
2. 940 से 949
3. 930 से 939
4. 920 से 929

Options :

64635071995. 1

64635071996. 2

64635071997. 3

64635071998. 4

Question Number : 126 Question Id : 64635018338 Question Type : MCQ Option Shuffling : No Display Question Number : Yes  
Single Line Question Option : No Option Orientation : Vertical

Correct Marks : 2 Wrong Marks : 0

Which large state has the second lowest infant mortality rate in 2016 as per SRS data (Kerala is the lowest)?

1. Punjab
2. Maharashtra
3. West Bengal
4. Tamil Nadu

Options :

64635071999. 1

64635072000. 2

64635072001. 3

64635072002. 4

Question Number : 126 Question Id : 64635018338 Question Type : MCQ Option Shuffling : No Display Question Number : Yes  
Single Line Question Option : No Option Orientation : Vertical



Correct Marks : 2 Wrong Marks : 0

प्रतिदर्श पंजीयन प्रणाली (एस. आर. एस.) के आँकड़े के अनुसार वर्ष 2016 में भारत के किस बड़े दूसरे राज्य में शिशु मृत्यु दर न्यूनतम है (केरल में सर्वाधिक न्यूनतम शिशु मृत्यु दर है)।

1. पंजाब
2. महाराष्ट्र
3. पश्चिम बंगाल
4. तमिलनाडु

Options :

64635071999. 1  
64635072000. 2  
64635072001. 3  
64635072002. 4

Question Number : 127 Question Id : 64635018339 Question Type : MCQ Option Shuffling : No Display Question Number : Yes  
Single Line Question Option : No Option Orientation : Vertical

Correct Marks : 2 Wrong Marks : 0

What percent of India's population is above age 60 in 2011 Census?

1. 6.0-6.9
2. 7.0-7.9
3. 8.0-8.9
4. 9.0-9.9

Options :

64635072003. 1  
64635072004. 2  
64635072005. 3  
64635072006. 4

Question Number : 127 Question Id : 64635018339 Question Type : MCQ Option Shuffling : No Display Question Number : Yes  
Single Line Question Option : No Option Orientation : Vertical

Correct Marks : 2 Wrong Marks : 0

वर्ष 2011 की जनगणना के आधार पर भारत में 60 वर्ष से ऊपर की आयु के व्यक्तियों का प्रतिशत कौन-सा है?

1. 6.0-6.9
2. 7.0-7.9
3. 8.0-8.9
4. 9.0-9.9

Options :

64635072003. 1  
64635072004. 2  
64635072005. 3  
64635072006. 4

Question Number : 128 Question Id : 64635018340 Question Type : MCQ Option Shuffling : No Display Question Number : Yes  
Single Line Question Option : No Option Orientation : Vertical

Correct Marks : 2 Wrong Marks : 0

Which one of the following methods is NOT used in life table construction :

1. Leslie's method
2. Reed and Merrell's method
3. King's method
4. Chiang's method

Options :

64635072007. 1

64635072008. 2

64635072009. 3

64635072010. 4

Question Number : 128 Question Id : 64635018340 Question Type : MCQ Option Shuffling : No Display Question Number : Yes  
Single Line Question Option : No Option Orientation : Vertical

Correct Marks : 2 Wrong Marks : 0

जीवन तालिका निर्माण में निम्नलिखित में से किस विधि का उपयोग नहीं किया जाता है?

1. लेजली विधि
2. रीड और मेरेल विधि
3. किंग विधि
4. चियांग विधि

Options :

64635072007. 1

64635072008. 2

64635072009. 3

64635072010. 4

Question Number : 129 Question Id : 64635018341 Question Type : MCQ Option Shuffling : No Display Question Number : Yes  
Single Line Question Option : No Option Orientation : Vertical

Correct Marks : 2 Wrong Marks : 0

The total number of person-years lived after age  $x$  in a life table is calculated as

$$1. T_x = \sum_x^{\infty} \frac{T_{x+1}}{L_{x+1}}$$

$$2. T_x = \sum_x^{\infty} L_x$$

$$3. T_x = \sum_x^{\infty} l_x$$

$$4. T_x = \sum_x^{\infty} \frac{T_x}{L_x}$$

Options :

64635072011. 1



64635072012. 2

64635072013. 3

64635072014. 4

Question Number : 129 Question Id : 64635018341 Question Type : MCQ Option Shuffling : No Display Question Number : Yes  
Single Line Question Option : No Option Orientation : Vertical

Correct Marks : 2 Wrong Marks : 0

जीवन तालिका में आयु  $x$  के पश्चात व्यक्ति के जीवन वर्ष की गणना निम्नलिखित में से किस प्रकार की जाती है?

1.  $T_x = \sum_x \frac{T_{x+1}}{L_{x+1}}$

2.  $T_x = \sum_x L_x$

3.  $T_x = \sum_x l_x$

4.  $T_x = \sum_x \frac{T_x}{L_x}$

Options :

64635072011. 1

64635072012. 2

64635072013. 3

64635072014. 4

Question Number : 130 Question Id : 64635018342 Question Type : MCQ Option Shuffling : No Display Question Number : Yes  
Single Line Question Option : No Option Orientation : Vertical

Correct Marks : 2 Wrong Marks : 0

Two of the following options are correct to emphasize that birthrates in two population groups cannot be compared unless :

- (a) both population groups use similar denominators
- (b) both population groups use the same age distributions
- (c) effects of all parameters which are extraneous to birth are excluded from both
- (d) all parameters which are extraneous to birth are standardized, their effect is adjusted and made common

Choose the correct answer from the codes given below :

- 1. (a) and (b)
- 2. (b) and (c)
- 3. (c) and (d)
- 4. (a) and (d)

Options :

64635072015. 1

64635072016. 2

64635072017. 3

64635072018. 4

Question Number : 130 Question Id : 64635018342 Question Type : MCQ Option Shuffling : No Display Question Number : Yes  
Single Line Question Option : No Option Orientation : Vertical

Correct Marks : 2 Wrong Marks : 0



नीचे दिए गए विकल्पों में से दो कथन इस बात पर बल देने के संदर्भ में सही हैं कि दो जनसंख्या समूहों में जन्म दर की तुलना तब तक नहीं की जा सकती है जब तक कि :

- (a) दोनों जनसंख्या समूह का एक समान हर (डिनोमिनेटर) नहीं हो
- (b) दोनों जनसंख्या समूह में एक समान आयु वितरण का उपयोग किया गया हो
- (c) उन सभी मानदंडों के प्रभाव जो जन्म से विलग हों को दोनों से बाहर नहीं किया गया हो
- (d) जन्म से विलग सभी मापदंड मानकीकृत होते हैं और उनके प्रभाव का समंजन कर उन्हें उभयनिष्ठ बनाया जाता है

नीचे दिए गए कूट में से सही उत्तर का चयन कीजिए :

1. (a) और (b)
2. (b) और (c)
3. (c) और (d)
4. (a) और (d)

Options :

64635072015. 1  
64635072016. 2  
64635072017. 3  
64635072018. 4

Question Number : 131 Question Id : 64635018343 Question Type : MCQ Option Shuffling : No Display Question Number : Yes  
Single Line Question Option : No Option Orientation : Vertical

Correct Marks : 2 Wrong Marks : 0

Which large state in India has the highest percent of urban population in 2011 Census?

1. Maharashtra
2. Tamil Nadu
3. Gujarat
4. Kerala

Options :

64635072019. 1  
64635072020. 2  
64635072021. 3  
64635072022. 4

Question Number : 131 Question Id : 64635018343 Question Type : MCQ Option Shuffling : No Display Question Number : Yes  
Single Line Question Option : No Option Orientation : Vertical

Correct Marks : 2 Wrong Marks : 0

वर्ष 2011 की जनगणना के अनुसार भारत के किस बड़े राज्य में सर्वाधिक शहरी जनसंख्या है?

1. महाराष्ट्र
2. तमिलनाडु
3. गुजरात
4. केरल

Options :

64635072019. 1  
64635072020. 2  
64635072021. 3  
64635072022. 4

Question Number : 132 Question Id : 64635018344 Question Type : MCQ Option Shuffling : No Display Question Number : Yes  
Single Line Question Option : No Option Orientation : Vertical

Correct Marks : 2 Wrong Marks : 0

In Hajnal's Sigulate Mean Age at Marriage (SMAM) method, which one of the following assumptions does NOT hold true?

1. No change in marriage pattern
2. No mortality differentials by marital status
3. No change in age structure
4. No migration differentials by marital status

Options :

64635072023. 1  
64635072024. 2  
64635072025. 3  
64635072026. 4

Question Number : 132 Question Id : 64635018344 Question Type : MCQ Option Shuffling : No Display Question Number : Yes  
Single Line Question Option : No Option Orientation : Vertical

Correct Marks : 2 Wrong Marks : 0

हजनाल की सिंगुलेट मीन एज ऐट मैरेज (एस. एम. ए. एम.) विधि में निम्नलिखित में से कौन-सी पूर्वधारणा सही नहीं है?

1. विवाह की पद्धति में कोई परिवर्तन नहीं
2. वैवाहिक स्थिति के कारण मृत्यु दर में कोई अंतर नहीं
3. आयु-संरचना में कोई परिवर्तन नहीं
4. वैवाहिक स्थिति के कारण प्रवास में कोई अंतर नहीं

Options :

64635072023. 1  
64635072024. 2  
64635072025. 3  
64635072026. 4



Question Number : 133 Question Id : 64635018345 Question Type : MCQ Option Shuffling : No Display Question Number : Yes  
Single Line Question Option : No Option Orientation : Vertical

Correct Marks : 2 Wrong Marks : 0

Find the odd-one out based on the basis of respective viewpoints of population development interrelations

1. Robert Wallace
2. Ester Boserup
3. Colin Clark
4. Julian Simon

Options :

64635072027. 1

64635072028. 2

64635072029. 3

64635072030. 4

Question Number : 133 Question Id : 64635018345 Question Type : MCQ Option Shuffling : No Display Question Number : Yes  
Single Line Question Option : No Option Orientation : Vertical

Correct Marks : 2 Wrong Marks : 0

जनसंख्या-विकास अंतर संबंधों पर उनके दृष्टिकोण के आधार पर निम्नलिखित में से विषम का चयन करें

1. रॉबर्ट वेलेस
2. ईस्टर बोसरप
3. कोलिन क्लार्क
4. जूलियन सिमोन

Options :

64635072027. 1

64635072028. 2

64635072029. 3

64635072030. 4

Question Number : 134 Question Id : 64635018346 Question Type : MCQ Option Shuffling : No Display Question Number : Yes  
Single Line Question Option : No Option Orientation : Vertical

Correct Marks : 2 Wrong Marks : 0

Which one of the following statement is false?

1. The period prevalence rate is frequently used than the point prevalence rate.
2. The period prevalence rate is the sum of point prevalence at the beginning of the period plus incidence of cases during the period.
3. In case of acute illness of relatively short duration, the period prevalence rate is approximately equal to the incidence rate when period of observation is sufficiently long.
4. When a population is exposed to the risk of a disease for a limited period of time only, the incidence rate may be termed as the 'attack rate'.

Options :

64635072031. 1
64635072032. 2
64635072033. 3
64635072034. 4

Question Number : 134 Question Id : 64635018346 Question Type : MCQ Option Shuffling : No Display Question Number : Yes  
Single Line Question Option : No Option Orientation : Vertical

Correct Marks : 2 Wrong Marks : 0

निम्नलिखित में से कौन-सा कथन गलत है?

1. अवधि विद्यमान दर स्थल विद्यमान दर की अपेक्षाकृत अधिक प्रयुक्त होता है।
2. अवधि विद्यमान दर किसी अवधि के आरंभ में स्थल विद्यमान दर और उस अवधि के दौरान बीमार होने वाले व्यक्तियों की संख्या का कुल योग है।
3. अपेक्षाकृत अल्प समयावधि तक होने वाली अतिपाती बीमारी होने के मामले में, अवधि विद्यमान दर लगभग उस घटना-दर के समतुल्य होता है जब प्रेक्षण की समयावधि बहुत लंबी हो।
4. जब जनसंख्या को अति अल्प अवधि तक किसी रोग से ग्रसित होने का खतरा रहता है तो घटना की दर को 'आघात दर' की संज्ञा दी जा सकती है।

Options :

64635072031. 1
64635072032. 2
64635072033. 3
64635072034. 4

Question Number : 135 Question Id : 64635018347 Question Type : MCQ Option Shuffling : No Display Question Number : Yes  
Single Line Question Option : No Option Orientation : Vertical

Correct Marks : 2 Wrong Marks : 0



Match mortality rates given in List-I with their description in List-II :

List-I		List-II	
(a) Infant mortality rate	(i)	No. of deaths of infants < 29 days of age per 1000 live births	
(b) Neonatal mortality rate	(ii)	No. of deaths of infants < 7 days of age per 1000 live births	
(c) Post-neonatal mortality rate	(iii)	No. of infant deaths < 1 year of age per 1000 live births	
(d) Early neonatal mortality rate	(iv)	No. of deaths of infants from 29 to 364 days of age per 1000 live births	

Choose the correct answer from the codes given below :

1. (a)-(i); (b)-(ii); (c)-(iii); (d)-(iv)
2. (a)-(ii); (b)-(i); (c)-(iii); (d)-(iv)
3. (a)-(iii); (b)-(i); (c)-(iv); (d)-(ii)
4. (a)-(iv); (b)-(iii); (c)-(ii); (d)-(i)

Options :

64635072035. 1

64635072036. 2

64635072037. 3

64635072038. 4

Question Number : 135 Question Id : 64635018347 Question Type : MCQ Option Shuffling : No Display Question Number : Yes  
Single Line Question Option : No Option Orientation : Vertical

Correct Marks : 2 Wrong Marks : 0

सूची-I में दिए गए मृत्यु दर को सूची-II में उल्लिखित विवरण से सुमेलित कीजिए :

सूची-I	सूची-II
(a) शिशु मृत्यु दर	(i) मरने वाले शिशु की संख्या प्रति 1000 जन्म के 29 दिन की आयु से कम
(b) नवजात मृत्यु दर	(ii) मृत शिशु की संख्या प्रति 1000 जन्म के 7 दिन की आयु से कम
(c) पञ्च-नवजात मृत्यु दर	(iii) मृत शिशु की संख्या प्रति 1000 जीवित जन्म के 1 वर्ष की आयु से कम
(d) पूर्व-नवजात मृत्यु दर	(iv) मृत शिशु की संख्या प्रति 1000 जीवित जन्म के 29 से 364 दिन तक की आयु से कम

नीचे दिए गए कूट में से सही उत्तर का चयन कीजिए :

1. (a)-(i); (b)-(ii); (c)-(iii); (d)-(iv)
2. (a)-(ii); (b)-(i); (c)-(iii); (d)-(iv)
3. (a)-(iii); (b)-(i); (c)-(iv); (d)-(ii)
4. (a)-(iv); (b)-(iii); (c)-(ii); (d)-(i)

Options :

64635072035. 1  
64635072036. 2  
64635072037. 3  
64635072038. 4

Question Number : 136 Question Id : 64635018348 Question Type : MCQ Option Shuffling : No Display Question Number : Yes  
Single Line Question Option : No Option Orientation : Vertical

Correct Marks : 2 Wrong Marks : 0

Given an abridged life table, with its usual columns of  $l_x$ ,  ${}_nq_x$ ,  ${}_nL_x$ ,  $T_x$  and  $e_x$  which of the following options is correct for computation of probability of survival from 60 to 85 years of age?

1.  $\frac{l_{85}}{l_{60}}$
2.  $\frac{{}_5L_{85}}{l_{60}}$
3.  $\frac{T_{85}}{l_{60}}$
4.  $\frac{e_{85}}{e_{60}}$

Options :

64635072039. 1  
64635072040. 2  
64635072041. 3  
64635072042. 4



Question Number : 136 Question Id : 64635018348 Question Type : MCQ Option Shuffling : No Display Question Number : Yes  
Single Line Question Option : No Option Orientation : Vertical

Correct Marks : 2 Wrong Marks : 0

संक्षिप्त जीवन सारणी जिसके प्रायिक स्तंभ  $l_x$ ,  ${}_nq_x$ ,  ${}_nL_x$ ,  $T_x$  और  $e_x$  है 60 वर्ष से 85 वर्ष तक की आयु तक जीवित रहने की संभावना की गणना के लिए निम्नलिखित में से कौन-सा कथन सही है?

1.  $\frac{l_{85}}{l_{60}}$

2.  $\frac{{}_5L_{85}}{l_{60}}$

3.  $\frac{T_{85}}{l_{60}}$

4.  $\frac{e_{85}}{e_{60}}$

Options :

64635072039. 1

64635072040. 2

64635072041. 3

64635072042. 4

Question Number : 137 Question Id : 64635018349 Question Type : MCQ Option Shuffling : No Display Question Number : Yes  
Single Line Question Option : No Option Orientation : Vertical

Correct Marks : 2 Wrong Marks : 0

Census of India defines migration on the basis of

- (a) place of birth
- (b) place of last residence
- (c) distance covered
- (d) duration of stay at the place of residence

Choose the correct answer from the codes given below :

1. (a) and (c)

2. (a) and (b)

3. (b) and (c)

4. (c) and (d)

Options :

64635072043. 1

64635072044. 2

64635072045. 3

64635072046. 4

Question Number : 137 Question Id : 64635018349 Question Type : MCQ Option Shuffling : No Display Question Number : Yes  
Single Line Question Option : No Option Orientation : Vertical

Correct Marks : 2 Wrong Marks : 0

भारत की जनगणना में प्रजनन को निम्नलिखित में किसके आधार पर परिभाषित किया जाता है?

- (a) जन्म स्थान
- (b) पिछला निवास स्थान
- (c) तय की गई दूरी
- (d) निवास स्थान पर ठहरने की अवधि

नीचे दिए गए कूट से सही उत्तर का चयन कीजिए :

- 1. (a) और (c)
- 2. (a) और (b)
- 3. (b) और (c)
- 4. (c) और (d)

Options :

64635072043. 1

64635072044. 2

64635072045. 3

64635072046. 4

Question Number : 138 Question Id : 64635018350 Question Type : MCQ Option Shuffling : No Display Question Number : Yes  
Single Line Question Option : No Option Orientation : Vertical

Correct Marks : 2 Wrong Marks : 0

Match the items given in List-I with those in List-II :

List-I

List-II

- |                        |  |
|------------------------|--|
| (a) Illegal migrants   | (i) Migration of Europeans to different parts of the world |
| (b) Forced migrants    | (ii) Syrians in Turkey                                     |
| (c) Refugees           | (iii) Slave trade  |
| (d) Voluntary migrants | (iv) Overstaying beyond official sanction                  |

Choose the correct answer from the codes given below :

- 1. (a)-(iv); (b)-(iii); (c)-(ii); (d)-(i)
- 2. (a)-(i); (b)-(ii); (c)-(iii); (d)-(iv)
- 3. (a)-(ii); (b)-(i); (c)-(iii); (d)-(iv)
- 4. (a)-(iii); (b)-(ii); (c)-(i); (d)-(iv)



Options :

64635072047. 1  
64635072048. 2  
64635072049. 3  
64635072050. 4

Question Number : 138 Question Id : 64635018350 Question Type : MCQ Option Shuffling : No Display Question Number : Yes  
Single Line Question Option : No Option Orientation : Vertical

Correct Marks : 2 Wrong Marks : 0

सूची-I में दिए गए मदों को सूची-II में दिए गए मदों के साथ सुमेलित कीजिए :

सूची-I	सूची-II
(a) अवैध प्रवासी	(i) यूरोप के लोगों का विश्व के विभिन्न भागों को प्रव्रजन
(b) बलात् प्रवासी	(ii) तुर्की में सीरियाई लोग
(c) शरणार्थी	(iii) दास व्यापार
(d) स्वैच्छिक प्रवासी	(iv) आधिकारिक समय सीमा से अधिक ठहरना

नीचे दिए गए कूट में से सही उत्तर का चयन कीजिए :

- (a)-(iv); (b)-(iii); (c)-(ii); (d)-(i)
- (a)-(i); (b)-(ii); (c)-(iii); (d)-(iv)
- (a)-(ii); (b)-(i); (c)-(iii); (d)-(iv)
- (a)-(iii); (b)-(ii); (c)-(i); (d)-(iv)

Options :

64635072047. 1  
64635072048. 2  
64635072049. 3  
64635072050. 4

Question Number : 139 Question Id : 64635018351 Question Type : MCQ Option Shuffling : No Display Question Number : Yes  
Single Line Question Option : No Option Orientation : Vertical

Correct Marks : 2 Wrong Marks : 0

Match the items in List-I with the names of the authors in List-II :

List-I	List-II
(a) Essay on Principles of Population	(i) John Grant
(b) Bills of Mortality	(ii) Thomas R. Malthus
(c) Limits to Growth	(iii) G. Hardin
(d) The Tragedy of the Commons	(iv) P. Ehrlich and A. Ehrlich

Choose the correct answer from the codes given below :

1. (a)–(i); (b)–(ii); (c)–(iii); (d)–(iv)
2. (a)–(ii); (b)–(iii); (c)–(iv); (d)–(i)
3. (a)–(ii); (b)–(i); (c)–(iv); (d)–(iii)
4. (a)–(iii); (b)–(i); (c)–(iv); (d)–(ii)

Options :

64635072051. 1  
64635072052. 2  
64635072053. 3  
64635072054. 4

Question Number : 139 Question Id : 64635018351 Question Type : MCQ Option Shuffling : No Display Question Number : Yes  
Single Line Question Option : No Option Orientation : Vertical

Correct Marks : 2 Wrong Marks : 0

सूची-I में दिए गए मदों को सूची-II में दिए गए मदों के साथ सुमेलित कीजिए :

सूची-I	सूची-II
(a) ऐसे ऑन प्रिंसिपल्स ऑफ पोपुलेशन	(i) जॉन ग्राउंट
(b) बिल्स ऑफ मोर्टेलिटी	(ii) थॉमस आर माल्थस
(c) लिमिट्स ऑफ ग्रोथ	(iii) जी. हार्डिन
(d) द ट्रेजडी ऑफ कॉमन्स	(iv) पी. एहरलिक एवं ए. एहरलिक

नीचे दिए गए कूट में से सही उत्तर का चयन कीजिए :

1. (a)–(i); (b)–(ii); (c)–(iii); (d)–(iv)
2. (a)–(ii); (b)–(iii); (c)–(iv); (d)–(i)
3. (a)–(ii); (b)–(i); (c)–(iv); (d)–(iii)
4. (a)–(iii); (b)–(i); (c)–(iv); (d)–(ii)

Options :



64635072051. 1  
64635072052. 2  
64635072053. 3  
64635072054. 4

Question Number : 140 Question Id : 64635018352 Question Type : MCQ Option Shuffling : No Display Question Number : Yes  
Single Line Question Option : No Option Orientation : Vertical

Correct Marks : 2 Wrong Marks : 0

Which among the following does NOT match with mercantilist viewpoints on population growth?

1. Population growth is essential for increase in national revenue
2. Expanding trade
3. Restriction on immigration
4. Penalties for non-marriage

Options :

64635072055. 1  
64635072056. 2  
64635072057. 3  
64635072058. 4

Question Number : 140 Question Id : 64635018352 Question Type : MCQ Option Shuffling : No Display Question Number : Yes  
Single Line Question Option : No Option Orientation : Vertical

Correct Marks : 2 Wrong Marks : 0

निम्नलिखित में से कौन-सा, जनसंख्या वृद्धि से संबंधित वाणिज्यिक दृष्टिकोण से मेल नहीं खाता है?

1. जनसंख्या वृद्धि राष्ट्रीय राजस्व में वृद्धि के लिए आवश्यक है
2. व्यापार विस्तार
3. आप्रजन पर प्रतिबंध
4. विवाह न करने पर दंड

Options :

64635072055. 1  
64635072056. 2  
64635072057. 3  
64635072058. 4

Question Number : 141 Question Id : 64635018353 Question Type : MCQ Option Shuffling : No Display Question Number : Yes  
Single Line Question Option : No Option Orientation : Vertical

Correct Marks : 2 Wrong Marks : 0

“Each society at each point in history has its own law of population.” The statement forms the basis of which of the following :

1. Marxian perspective
2. Condorcet's utopian ideas
3. Neo-Malthusian viewpoints
4. Ancient thinkers on population

Options :

64635072059. 1

64635072060. 2

64635072061. 3

64635072062. 4

Question Number : 141 Question Id : 64635018353 Question Type : MCQ Option Shuffling : No Display Question Number : Yes  
Single Line Question Option : No Option Orientation : Vertical

Correct Marks : 2 Wrong Marks : 0

‘इतिहास में प्रत्येक समय पर प्रत्येक समाज की जनसंख्या से संबंधित स्वयं के कानून होते हैं।’ उक्त कथन निम्नलिखित में से किसका आधार है?

1. मार्क्सवादी दृष्टिकोण
2. कोंडोरसेट के आदर्श विचार
3. नव-माल्थसवादी दृष्टिकोण
4. जनसंख्या संबंधी प्राचीन विचारक

Options :

64635072059. 1

64635072060. 2

64635072061. 3

64635072062. 4

Question Number : 142 Question Id : 64635018354 Question Type : MCQ Option Shuffling : No Display Question Number : Yes  
Single Line Question Option : No Option Orientation : Vertical

Correct Marks : 2 Wrong Marks : 0

Which among the following is the correct sequence of mega cities of the world arranged in descending order of population size in 2015 as per World Urbanization Prospects, 2018?

1. Tokyo, Delhi, Shanghai, Mexico City
2. Delhi, Tokyo, Shanghai, Mexico City
3. Delhi, Mexico City, Tokyo, Shanghai
4. Delhi, Shanghai, Tokyo, Mexico City

Options :

64635072063. 1

64635072064. 2

64635072065. 3



64635072066. 4

Question Number : 142 Question Id : 64635018354 Question Type : MCQ Option Shuffling : No Display Question Number : Yes  
Single Line Question Option : No Option Orientation : Vertical

Correct Marks : 2 Wrong Marks : 0

वर्ष 2018 की विश्व शहरीकरण संभावना (डब्ल्यू. यू. पी.) रिपोर्ट के अनुसार 2015 में जनसंख्या आकार के अवरोही क्रम में विश्व के महानगरों का निम्नलिखित में से सही क्रम कौन-सा है?

1. टोकियो, दिल्ली, शंघाई, मेक्सिको सिटी
2. दिल्ली, टोकियो, शंघाई, मेक्सिको सिटी
3. दिल्ली, मेक्सिको सिटी, टोकियो, शंघाई
4. दिल्ली, शंघाई, टोकियो, मेक्सिको सिटी

Options :

64635072063. 1

64635072064. 2

64635072065. 3

64635072066. 4

Question Number : 143 Question Id : 64635018355 Question Type : MCQ Option Shuffling : No Display Question Number : Yes  
Single Line Question Option : No Option Orientation : Vertical

Correct Marks : 2 Wrong Marks : 0

Match the source of demographic data given in List-I with the agency responsible for it given in List-II :

List-I

List-II

- |                                |   |
|--------------------------------|---|
| (a) Sample registration system | (i) UNICEF  |
| (b) Demographic survey         | (ii) Ministry of Health and Family Welfare          |
| (c) Service statistics         | (iii) International Institute of Population Studies |
| (d) Coverage evaluation survey | (iv) Office of Registrar General of India           |

Choose the correct answer from the codes given below :

1. (a)–(ii); (b)–(iv); (c)–(iii); (d)–(i)
2. (a)–(i); (b)–(iii); (c)–(iv); (d)–(ii)
3. (a)–(iv); (b)–(iii); (c)–(ii); (d)–(i)
4. (a)–(ii); (b)–(iv); (c)–(i); (d)–(iii)

Options :

64635072067. 1

64635072068. 2

64635072069. 3

64635072070. 4

Question Number : 143 Question Id : 64635018355 Question Type : MCQ Option Shuffling : No Display Question Number : Yes  
Single Line Question Option : No Option Orientation : Vertical

Correct Marks : 2 Wrong Marks : 0

सूची-I में उल्लिखित जन सांख्यिकीय आंकड़ों के स्रोत को सूची-II में इसके लिए उत्तरदायी एजेंसी से सुमेलित कीजिए :

सूची-I	सूची-II
(a) प्रतिदर्श पंजीयन प्रणाली	(i) यूनिसेफ
(b) जनांकिकीय सर्वेक्षण	(ii) स्वास्थ्य और परिवार कल्याण मंत्रालय
(c) सेवा-संबंधी आंकड़े	(iii) अंतर्राष्ट्रीय जनसंख्या अध्ययन संस्थान
(d) कवरेज मूल्यांकन सर्वेक्षण	(iv) भारत के महापंजीयक का कार्यालय

नीचे दिए गए कूट में से सही उत्तर का चयन कीजिए :

1. (a)-(ii); (b)-(iv); (c)-(iii); (d)-(i)
2. (a)-(i); (b)-(iii); (c)-(iv); (d)-(ii)
3. (a)-(iv); (b)-(iii); (c)-(ii); (d)-(i)
4. (a)-(ii); (b)-(iv); (c)-(i); (d)-(iii)

Options :

64635072067. 1  
64635072068. 2  
64635072069. 3  
64635072070. 4

Question Number : 144 Question Id : 64635018356 Question Type : MCQ Option Shuffling : No Display Question Number : Yes  
Single Line Question Option : No Option Orientation : Vertical

Correct Marks : 2 Wrong Marks : 0



Urban transition in the less developed parts of the world differs from the experiences of developed countries in which respect?

- (a) The scale and pace are unprecedented
- (b) Rural to urban migration is the largest contributor to urban growth
- (c) There is a mismatch between average income levels and pace of urban transition
- (d) Nature and direction of urban transition is more linked with global economy now than before

Choose the correct answer from the codes given below :

- 1. (a), (b) and (c)
- 2. (a), (c) and (d)
- 3. (b), (c) and (d)
- 4. (a) and (c)

Options :

64635072071. 1

64635072072. 2

64635072073. 3

64635072074. 4

Question Number : 144 Question Id : 64635018356 Question Type : MCQ Option Shuffling : No Display Question Number : Yes  
Single Line Question Option : No Option Orientation : Vertical

Correct Marks : 2 Wrong Marks : 0

विश्व के कम विकसित भागों में शहरी संक्रमण निम्नलिखित में से किस संदर्भ में विकसित देशों के शहरी संक्रमण से भिन्न होता है?

- पैमाना और गति अभूतपूर्व होती है
- शहरी वृद्धि में ग्रामीण से शहरी प्रजनन का सर्वाधिक योगदान होता है
- औसत आय स्तरों और शहरी संक्रमण की गति के बीच बेमेल होता है
- शहरी संक्रमण का स्वरूप और दिशा पहले की अपेक्षा अब वैश्विक अर्थव्यवस्था के साथ ज्यादा जुड़े हैं

नीचे दिए गए कूट से सही उत्तर का चयन कीजिए :

कूट :

- (a), (b) और (c)
- (a), (c) और (d)
- (b), (c) और (d)
- (a) और (c)

Options :

64635072071. 1
64635072072. 2
64635072073. 3
64635072074. 4

Question Number : 145 Question Id : 64635018357 Question Type : MCQ Option Shuffling : No Display Question Number : Yes Single Line Question Option : No Option Orientation : Vertical

Correct Marks : 2 Wrong Marks : 0

Which one of the following methods should be preferred for estimation of population of India for the year 2015 (Assume population projections of expert committee are not available)?

- Estimate the arithmetic rate of population growth for the period 2001–2011 (Census years). Use the rate of growth to project population from 2011 to 2015
- Estimate the geometric rate of population growth for the period 2001–2011 (Census years). Use the rate of growth to project population from 2011 to 2015
- Estimate the exponential rate of population growth for the period 2001–2011 (Census years). Use the rate of growth of project population from 2011 to 2015
- Use birthrates and death rates for the inter-Census period 2001–2011. Determine the rate of population growth (birthrate-death rate) and use it to project population from 2011 to 2015



Options :

64635072075. 1  
64635072076. 2  
64635072077. 3  
64635072078. 4

Question Number : 145 Question Id : 64635018357 Question Type : MCQ Option Shuffling : No Display Question Number : Yes  
Single Line Question Option : No Option Orientation : Vertical

Correct Marks : 2 Wrong Marks : 0

वर्ष 2015 में भारत की जनसंख्या के आकलन के लिए श्रेयस्कर विधि क्या होनी चाहिए (मान लीजिए कि विशेषज्ञ समिति द्वारा उपलब्ध कराया गया जनसंख्या-प्रक्षेपण उपलब्ध नहीं है)?

- वर्ष 2001-2011 (जनगणना वर्ष) की अवधि में जनसंख्या वृद्धि की अंकगणितीय दर का आकलन कीजिए। इस वृद्धि दर का उपयोग वर्ष 2011 से 2015 तक की जनसंख्या का अनुमान लगाने के लिए करें।
- वर्ष 2001-2011 (जनगणना वर्ष) के लिए जनसंख्या वृद्धि की ज्यामितिक दर का आकलन कीजिए। वर्ष 2011 से 2015 तक की जनसंख्या का अनुमान लगाने के लिए इस वृद्धि दर का उपयोग करें।
- वर्ष 2001-2011 (जनगणना वर्ष) के लिए जनसंख्या वृद्धि के घातांक दर का आकलन कीजिए। वर्ष 2011 से 2015 तक की जनसंख्या का अनुमान लगाने के लिए इस वृद्धि दर का उपयोग करें।
- वर्ष 2001-2011 की अंतः जनगणना अवधि के लिए जन्म दर और मृत्यु दर का उपयोग कीजिए। जनसंख्या वृद्धि की दर का अवधारण कीजिए (जन्मदर-मृत्यु दर) और वर्ष 2011 से 2015 तक की जनसंख्या का अनुमान लगाने के लिए इसका उपयोग करें।

Options :

64635072075. 1  
64635072076. 2  
64635072077. 3  
64635072078. 4

Sub-Section Number: 7  
Sub-Section Id: 646350897  
Question Shuffling Allowed : Yes

Question Id : 64635018358 Question Type : COMPREHENSION Sub Question Shuffling Allowed : Yes Group Comprehension Questions : No

Question Numbers : (146 to 150)

Question Label : Comprehension

**Direction :** Answer on the basis of the table given below :

**Table :** Population Growth, Crude Birth and Death rates and Sex ratio : Census 1901–2011

Year	Population (Million)	% Decadal Growth Rate	% Annual Exponential Growth Rate	Crude Birth Rate	Crude Death Rate	Sex Ratio
1901	238.4	–	–	45.8	44.4	972
1911	252.1	5.75	+0.56	49.2	42.6	964
1921	251.3	–0.31	–0.03	48.1	47.2	955
1931	279.0	11.00	+1.04	46.4	36.3	950
1941	318.7	14.22	+1.33	45.2	31.2	945
1951	361.1	13.31	+1.25	39.9	27.4	946
1961	439.2	21.64	+1.96	41.7	22.8	941
1971	548.2	24.80	+2.20	41.2	19.0	930
1981	683.3	24.66	+2.22	37.2	15.0	934
1991	846.4	23.87	+2.16	32.5	11.4	927
2001	1028.7	21.54	+1.97	24.8	8.9	933
2011	1210.9	17.70	+1.63	21.8	7.1	943

(Source : Registrar General and Census Commissioner India, 2011)

**Sub questions**

**Question Number :** 146 **Question Id :** 64635018359 **Question Type :** MCQ **Option Shuffling :** No **Display Question Number :** Yes  
**Single Line Question Option :** No **Option Orientation :** Vertical

**Correct Marks :** 2 **Wrong Marks :** 0

In which of the following years, national rate of population growth was maximum?

1. 2001
2. 1971
3. 2011
4. 1991

**Options :**

64635072079. 1

64635072080. 2



64635072081. 3

64635072082. 4

Question Number : 147 Question Id : 64635018360 Question Type : MCQ Option Shuffling : No Display Question Number : Yes  
Single Line Question Option : No Option Orientation : Vertical

Correct Marks : 2 Wrong Marks : 0

In which of the following decades, maximum absolute decline in Crude Birth Rate (CBR) took place?

1. 1941–1951

2. 1991–2001

3. 1971–1981

4. 1901–1911

Options :

64635072083. 1

64635072084. 2

64635072085. 3

64635072086. 4

Question Number : 148 Question Id : 64635018361 Question Type : MCQ Option Shuffling : No Display Question Number : Yes  
Single Line Question Option : No Option Orientation : Vertical

Correct Marks : 2 Wrong Marks : 0

During which of the following decades, rate in change of sex ratio has been highest compared to the preceding decade?

1. 2001–2011

2. 1921–1931

3. 1911–1921

4. 1981–1991

Options :

64635072087. 1

64635072088. 2

64635072089. 3

64635072090. 4

Question Number : 149 Question Id : 64635018362 Question Type : MCQ Option Shuffling : No Display Question Number : Yes  
Single Line Question Option : No Option Orientation : Vertical

Correct Marks : 2 Wrong Marks : 0

During which of the decades given below, maximum absolute decline in Crude Death Rate (CDR) took place?

1. 1901–1911
2. 1921–1931
3. 1931–1941
4. 1941–1951

**Options :**

- 64635072091. 1
- 64635072092. 2
- 64635072093. 3
- 64635072094. 4

**Question Number : 150 Question Id : 64635018363 Question Type : MCQ Option Shuffling : No Display Question Number : Yes Single Line Question Option : No Option Orientation : Vertical**

**Correct Marks : 2 Wrong Marks : 0**

From which of the following decade, Census (decadal) growth rate started declining?

1. 1921–1931
2. 1911–1921
3. 1941–1951
4. 1971–1981

**Options :**

- 64635072095. 1
- 64635072096. 2
- 64635072097. 3
- 64635072098. 4

**Question Id : 64635018358 Question Type : COMPREHENSION Sub Question Shuffling Allowed : Yes Group Comprehension Questions : No**

**Question Numbers : (146 to 150)**

**Question Label : Comprehension**



निर्देश : नीचे दी गई तालिका को पढ़कर प्रश्न के उत्तर दीजिए :

तालिका : जनसंख्या वृद्धि, अशोधित जन्म और मृत्यु दर एवं लिंगानुपात : 1901-2011 जनगणना

वर्ष	जनसंख्या (मिलियन में)	दशकीय वृद्धि दर का प्रतिशत	वार्षिक घातांकीय वृद्धि दर का प्रतिशत	अशोधित जन्म दर	अशोधित मृत्यु दर	लिंगानुपात
1901	238.4	—	—	45.8	44.4	972
1911	252.1	5.75	+ 0.56	49.2	42.6	964
1921	251.3	- 0.31	- 0.03	48.1	47.2	955
1931	279.0	11.00	+ 1.04	46.4	36.3	950
1941	318.7	14.22	+ 1.33	45.2	31.2	945
1951	361.1	13.31	+ 1.25	39.9	27.4	946
1961	439.2	21.64	+ 1.96	41.7	22.8	941
1971	548.2	24.80	+ 2.20	41.2	19.0	930
1981	683.3	24.66	+ 2.22	37.2	15.0	934
1991	846.4	23.87	+ 2.16	32.5	11.4	927
2001	1028.7	21.54	+ 1.97	24.8	8.9	933
2011	1210.9	17.70	+ 1.63	21.8	7.1	943

(स्रोत : भारत के महापंजीयक और जनगणना आयुक्त, 2011)

Sub questions

Question Number : 146 Question Id : 64635018359 Question Type : MCQ Option Shuffling : No Display Question Number : Yes  
Single Line Question Option : No Option Orientation : Vertical

Correct Marks : 2 Wrong Marks : 0

निम्नलिखित में से किस वर्ष में जनसंख्या वृद्धि की स्वाभाविक दर सर्वाधिक थी?

1. 2001
2. 1971
3. 2011
4. 1991

Options :

64635072079. 1

64635072080. 2

64635072081. 3

64635072082. 4

**Question Number : 147 Question Id : 64635018360 Question Type : MCQ Option Shuffling : No Display Question Number : Yes**  
**Single Line Question Option : No Option Orientation : Vertical**

**Correct Marks : 2 Wrong Marks : 0**

निम्नलिखित में से कौन-से दशक में अशोधित जन्म दर (सी. बी. आर.) में सर्वाधिक निरपेक्ष गिरावट दर्ज की गई?

1. 1941-1951

2. 1991-2001

3. 1971-1981

4. 1901-1911

**Options :**

64635072083. 1

64635072084. 2

64635072085. 3

64635072086. 4

**Question Number : 148 Question Id : 64635018361 Question Type : MCQ Option Shuffling : No Display Question Number : Yes**  
**Single Line Question Option : No Option Orientation : Vertical**

**Correct Marks : 2 Wrong Marks : 0**

निम्नलिखित में से किस दशक के दौरान लिंगानुपात में परिवर्तन की दर पूर्ववर्ती दशक की तुलना में सर्वाधिक रही?

1. 2001-2011

2. 1921-1931

3. 1911-1921

4. 1981-1991

**Options :**

64635072087. 1

64635072088. 2

64635072089. 3

64635072090. 4

**Question Number : 149 Question Id : 64635018362 Question Type : MCQ Option Shuffling : No Display Question Number : Yes**  
**Single Line Question Option : No Option Orientation : Vertical**

**Correct Marks : 2 Wrong Marks : 0**



निम्नलिखित में से किस दशक के दौरान अशोधित मृत्यु दर (सी. डी. आर.) में निरपेक्ष गिरावट सर्वाधिक रही?

1. 1901–1911
2. 1921–1931
3. 1931–1941
4. 1941–1951

**Options :**

64635072091. 1

64635072092. 2

64635072093. 3

64635072094. 4

**Question Number : 150 Question Id : 64635018363 Question Type : MCQ Option Shuffling : No Display Question Number : Yes  
Single Line Question Option : No Option Orientation : Vertical**

**Correct Marks : 2 Wrong Marks : 0**

जनगणना के किस दशक से दशकीय जनसंख्या वृद्धि दर घटना शुरू हुयी?

1. 1921–1931
2. 1911–1921
3. 1941–1951
4. 1971–1981

**Options :**

64635072095. 1

64635072096. 2

64635072097. 3

64635072098. 4