

PHYSICS

SECTION - A

Multiple Choice Questions: This section contains 20 multiple choice questions. Each question has 4 choices (1), (2), (3) and (4), out of which **ONLY ONE** is correct.

Choose the correct answer:

1. The ratio of molar specific heat capacity at constant pressure (C_P) to that at constant volume (C_V) varies with temperature (T) as : [Assume temperature to be low]

- (1) T^0 (2) $T^{1/2}$
(3) T (4) $T^{3/2}$

Answer (1)

Sol. $\frac{C_P}{C_V} = \frac{f+2}{f} = \gamma = 1 + \frac{2}{f} = \text{constant}$

We take 'f' to be constant for molecule at low temperature.

$$\frac{C_P}{C_V} \propto T^0$$

2. If n : Number density of charge carriers
 A : Cross-sectional area of conductor
 q : Charge on each charge carrier
 I : Current through the conductor
then the expression of drift velocity is

- (1) $\frac{nAq}{I}$ (2) $\frac{I}{nAq}$
(3) $nAqI$ (4) $\frac{IA}{nq}$

Answer (2)

Sol. We Know $I = nAe v_d$

$$\Rightarrow v_d = \frac{I}{nAq}$$

3. If R , X_L and X_C denote resistance, inductive reactance and capacitive reactance respectively. Then which of the following options shows the dimensionless physical quantity.

- (1) $\frac{X_L X_C}{R}$ (2) $\frac{R}{\sqrt{X_L X_C}}$
(3) $\frac{R}{X_L X_C}$ (4) $\frac{R}{(X_L X_C)^2}$

Answer (2)

Sol. X_L = Inductive reactance = $[R]$ = dimension of R
 X_C = Capacitive reactance = $[R]$ = dimension of R
 R = Resistance

$$\frac{R}{\sqrt{X_L X_C}} = \text{dimensionless}$$

4. A drop of water of 10 mm radius is divided into 1000 droplets. If surface tension of water surface is equal to 0.073 J/m² then increment in surface energy while breaking down the bigger drop in small droplets as mentioned is equal to

- (1) 8.25×10^{-5} J (2) 9.17×10^{-4} J
(3) 9.17×10^{-5} J (4) 8.25×10^{-4} J

Answer (4)

Sol. Let the radius of one small droplet is r then

$$1000 \frac{4}{3} \pi r^3 = \frac{4}{3} \pi (10)^3$$

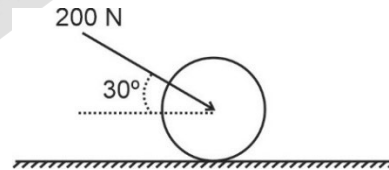
$$\Rightarrow r = 1 \text{ mm}$$

$$U_i = 1000 \cdot 4\pi r^2 T = 1000 \times 4\pi \times 10^{-6} \times 0.073 = 9.17 \times 10^{-4} \text{ J}$$

$$U_f = 4\pi \times (10^{-2})^2 T = 9.17 \times 10^{-5} \text{ J}$$

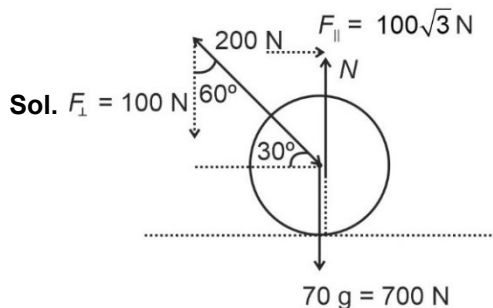
$$\text{So } \Delta U = 8.25 \times 10^{-4} \text{ J}$$

5. A force 200 N is exerted on a disc of mass 70 kg as shown. Find the normal reaction given by ground on the disc.



- (1) 200 N (2) 600 N
(3) 800 N (4) $\frac{200}{\sqrt{3}}$ N

Answer (3)



Sol. $F_{\perp} = 100 \text{ N}$

$$N = Mg + F_{\perp}$$

$$= 700 + 100$$

$$= 800 \text{ N}$$

6. At depth d from surface of earth acceleration due to gravity is same as its value at height d above the surface of earth. If earth is a sphere of radius 6400 km, then value of d is equal to

- (1) 2975 km (2) 3955 km
 (3) 2525 km (4) 4915 km

Answer (2)

Sol. $g_0 \left(1 - \frac{d}{R}\right) = \frac{g_0}{\left(1 + \frac{d}{R}\right)^2}$

$$\left(1 - \frac{d}{R}\right) \left(1 + \frac{d}{R}\right)^2 = 1$$

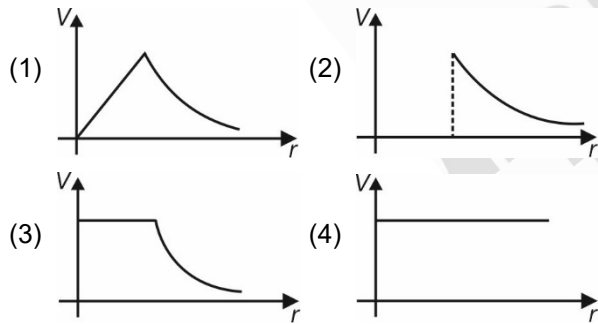
On solving

$$\frac{d}{R} = 0, -\left(\frac{\sqrt{5}+1}{2}\right), \frac{\sqrt{5}-1}{2}$$

So, $d = \frac{\sqrt{5}-1}{2} R$

$\Rightarrow d = 3955 \text{ km}$

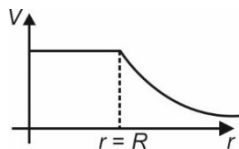
7. Which of the following graphs depicts the variation of electric potential with respect to radial distance from centre of a conducting sphere charged with positive charge.



Answer (3)

Sol. $V(r) = \begin{cases} \frac{q}{4\pi\epsilon_0 R} & \text{if } r < R \\ \frac{q}{4\pi\epsilon_0 r} & \text{if } r > R \end{cases}$

Where r is radial distance and R is radius of sphere, as charge will be on the surface because the sphere is conducting. So graph will be



8. In a sample of hydrogen atoms, one atom goes through a transition $n = 3 \rightarrow$ ground state with emitted wavelength λ_1 . Another atom goes through a transition $n = 2 \rightarrow$ ground state with emitted wavelength λ_2 . Find $\frac{\lambda_1}{\lambda_2}$.

- (1) $\frac{6}{5}$ (2) $\frac{5}{6}$
 (3) $\frac{27}{32}$ (4) $\frac{32}{27}$

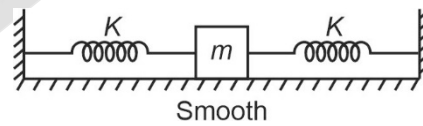
Answer (3)

Sol. $\frac{1}{\lambda_1} = RZ^2 \left[1 - \frac{1}{9}\right]$

$$\frac{1}{\lambda_2} = RZ^2 \left[1 - \frac{1}{4}\right]$$

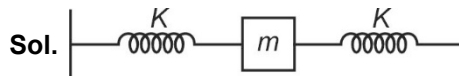
$$\Rightarrow \frac{\lambda_1}{\lambda_2} = \frac{\frac{3}{4}}{\frac{8}{9}} = \frac{27}{32}$$

9. A block of mass m is connected to two identical springs of force constant K as shown. Find total number of oscillations of block per unit time.



- (1) $2\pi\sqrt{\frac{2m}{K}}$ (2) $\frac{1}{2\pi}\sqrt{\frac{K}{m}}$
 (3) $2\pi\sqrt{\frac{m}{2K}}$ (4) $\frac{1}{2\pi}\sqrt{\frac{2K}{m}}$

Answer (4)



$K_{eq} = 2K$

$$\omega = \sqrt{\frac{K_{eq}}{m}} = \sqrt{\frac{2K}{m}}$$

$f = \frac{\omega}{2\pi} = \frac{1}{2\pi}\sqrt{\frac{2K}{m}}$ oscillation per second.

10. Consider the two statements:

Assertion : The beam of electrons shows wave nature and exhibits interference and diffraction.

Reason : Davisson-Germer experiment verified the wave nature of electrons.

- (1) Both are correct. Reason correctly explains assertion
- (2) Both are incorrect
- (3) Assertion is correct but Reason is incorrect
- (4) Both are correct. Reason does not explain assertion.

Answer (1)

Sol. Davisson Germer experiment verified wave nature of electrons.

Option (1) is correct.

11. A projectile is launched on horizontal surface such that if thrown with initial velocity of u , it has velocity of $\frac{\sqrt{3}u}{2}$ at maximum height. Then time of flight of the projectile is equal to

- (1) $\frac{\sqrt{3}u}{g}$
- (2) $\frac{2u}{g}$
- (3) $\frac{u}{g}$
- (4) $\frac{u}{2g}$

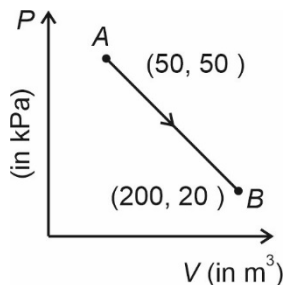
Answer (3)

Sol. $u \cos \theta = \frac{\sqrt{3}u}{2}$

$\Rightarrow \theta = \frac{\pi}{6}$ angle of projection

$$T = \frac{2u \sin \theta}{g} = \frac{u}{g}$$

12. A diatomic gas is taken from point A to point B in a thermodynamic process as described in the Pressure-Volume graph shown. The change in internal energy is equal to



- (1) 3.75×10^6 J
- (2) 2.25×10^6 J
- (3) 7.5×10^6 J
- (4) 4.5×10^6 J

Answer (1)

Sol. $\Delta U = \frac{f}{2} nR\Delta T$

$$= \frac{5}{2} (P_f V_f - P_i V_i)$$

$$= \frac{5}{2} (200 \times 20 \times 10^3 - 50 \times 50 \times 10^3) \text{ J}$$

$$= \frac{5}{2} \times 1500 \times 10^3 \text{ J} = 3.75 \times 10^6 \text{ J}$$

13. A conductor of length l and cross-sectional area A has drift velocity v_d when used across a potential difference V . When another conductor of same material and length l but double cross-sectional area than first is used across same potential difference than drift velocity is equal to

- (1) $\frac{V_d}{2}$
- (2) v_d
- (3) $2v_d$
- (4) $4v_d$

Answer (2)

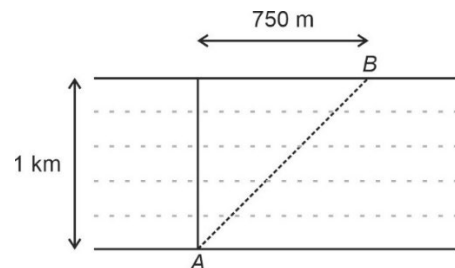
Sol. $I = \eta e v_d A$

$$\frac{V}{2} = \eta e v_d A$$

$$\frac{VA}{\rho l} = \eta e v_d A$$

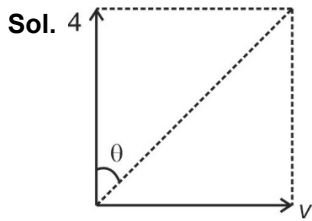
$\Rightarrow v_d$ is independent of area of cross-sectional of conductor.

14. A swimmer swims perpendicular to river flow and reaches point B. If velocity of swimmer in still water is 4 km/h, find velocity of river flow.



- (1) 3 km/hr
- (2) 5 km/hr
- (3) 2 km/hr
- (4) 6 km/hr

Answer (1)



$$\Rightarrow \frac{v}{4} = \tan \theta = \frac{750}{1000}$$

$$\Rightarrow v = 3 \text{ km/hr}$$

15. A bar magnet with magnetic moment of 5 Am^2 is lying at stable equilibrium in external uniform magnetic field of strength 0.4 T . Work done in slowly rotating the bar magnet to the position of unstable equilibrium is equal to

- (1) 1 J (2) 2 J
 (3) 3 J (4) 4 J

Answer (4)

Sol. $U_i = -MB \cos 0^\circ$

$$U_f = -MB \cos 180^\circ$$

$$\text{so, } W = \Delta U$$

$$= 2 MB$$

$$= 2 \times 5 \times 0.4$$

$$= 4 \text{ J}$$

16. Unpolarised light (of intensity I_0) is incident on a polarizer A and subsequently on polarizer B whose pass axis is perpendicular to that of A . Now a polarizer C is introduced between A and B such that pass axis of C is at 45° with pass axis of A . Find intensity that comes out of B .

- (1) $\frac{I_0}{8}$
 (2) $\frac{I_0}{4}$
 (3) Zero
 (4) $\frac{3I_0}{8}$

Answer (1)

Sol. $I_{\text{net}} = I_0 \times \frac{1}{2} \times \cos^2 45^\circ \times \cos^2 45^\circ$

$$= \frac{I_0}{8}$$

17.
 18.
 19.
 20.

SECTION - B

Numerical Value Type Questions: This section contains 10 questions. In Section B, attempt any five questions out of 10. The answer to each question is a **NUMERICAL VALUE**. For each question, enter the correct numerical value (in decimal notation, truncated/rounded-off to the second decimal place; e.g., 06.25, 07.00, -00.33, -00.30, 30.27, -27.30) using the mouse and the on-screen virtual numeric keypad in the place designated to enter the answer.

21. A solid sphere is rolling on a smooth surface with kinetic energy $= 7 \times 10^{-3} \text{ J}$. If mass of the sphere is 1 kg, find the speed of centre of mass in cm/s. (Consider pure rolling)

Answer (10.00)

Sol. $\frac{1}{2}mv_{\text{cm}}^2 + \frac{1}{2} \cdot \frac{2}{5}mv^2 = 7 \times 10^{-3}$

$$\Rightarrow \frac{7}{10}mv^2 = \frac{7}{1000}$$

$$\Rightarrow v = \frac{1}{10} \text{ m/s} = 10 \text{ cm/s}$$

22. A lift of mass 500 kg starts moving downwards with initial speed 2 m/s and accelerates at 2 ms^{-2} . The kinetic energy of the lift when it has moved 6 m down is _____ kJ.

Answer (07.00)

Sol. $u = 2 \text{ m/s}$

$$a = 2 \text{ m/s}^2$$

$$s = 6 \text{ m}$$

$$v^2 - u^2 = 2as$$

$$\Rightarrow v^2 = u^2 + 2as = 4 + 2 \times 2 \times 6 = 28$$

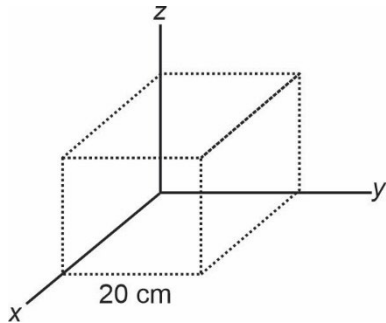
$$\text{K.E.} = \frac{1}{2}MV^2 = \frac{1}{2} \times 500 \times (28)$$

$$= 500 \times 14$$

$$= 7000 \text{ J}$$

$$= 7 \text{ kJ}$$

23. Electric field in a region is $4000x^2\hat{i}$ N/C . The flux through the cube is $\frac{x}{5}$ Nm²/C . Find x.



Answer (32)

Sol. $\phi = 4000(0.2)^2 \times \text{Area}$
 $= 4000(0.2)^2 \times (0.2)^2$
 $= \frac{4000 \times 16}{10000}$
 $= 6.4 \text{ Nm}^2/\text{C}$

24. For an series LCR circuit across an A.C source, current and voltage are in same phase. Given the resistance of 20Ω and voltage of the source is 220 V . Find current (in A) in the circuit.

Answer (11.00)

Sol. The given circuit is in resonance

$$\therefore i = \frac{220}{20} = 11 \text{ A}$$

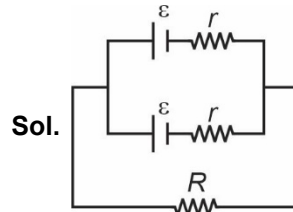
25. For a particle performing SHM, maximum potential energy is 25 J . The kinetic energy (in J) at half the amplitude is $\frac{x}{4}$. Find x

Answer (75.00)

Sol. $\text{KE} = \frac{1}{2}kA^2 - \frac{1}{2}k\left(\frac{A}{2}\right)^2$
 $= \frac{1}{2}kA^2 \left[\frac{3}{4} \right]$
 $= \frac{3}{4} \times 25 \text{ J}$
 $= \frac{75}{4} \text{ J}$

26. The current through a 5Ω resistance remains same, irrespective of its connection across series or parallel combination of two identical cells. Find the internal resistance (in Ω) of the cell.

Answer (05.00)



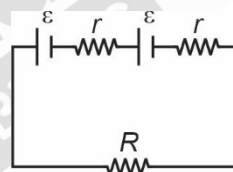
$$\frac{\epsilon_{\text{eq}}}{\left(\frac{r}{2}\right)} = \frac{\epsilon}{r} + \frac{\epsilon}{r}$$

$$\epsilon_{\text{eq}} = \epsilon$$

$$r_{\text{eq}} = \left(\frac{r}{2}\right)$$

$$\text{current} = i = \frac{\epsilon}{R + \left(\frac{r}{2}\right)}$$

When connected in series



$$\epsilon_{\text{eq}} = 2\epsilon$$

$$i = \left(\frac{2\epsilon}{R + 2r}\right)$$

$$\Rightarrow \frac{\epsilon}{R + \frac{r}{2}} = \frac{2\epsilon}{R + 2r}$$

$$\Rightarrow R + 2r = 2R + r$$

$$\Rightarrow \boxed{r = R = 5 \Omega}$$

27.

28.

29.

30.